

LIST OF PARTS



SINGER** MACHINES

Nos. 147-93, 147-94,
147-121 and 147-122

THE SINGER MANUFACTURING COMPANY

INSTRUCTIONS FOR OILING

To ensure easy running and prevent unnecessary wear of the parts which are in movable contact, the machine requires oiling and when in continuous use, "TYPE B" or "TYPE D" OIL, sold by Singer Sewing Machine Company, should be applied at least twice each day to all oil holes marked "OIL".

"TYPE D" OIL should be used when an oil is desired which will produce a minimum of stain on fabrics, even after a long period of storage.

SPECIAL NOTICE

The letter "o", marked on oil pipe couplings must always be at the top. This is to insure that the oil spoon, attached to the inner end of each coupling, is open side up.

Copyright, U. S. A., 1940, 1948 and 1953 by
The Singer Manufacturing Company
All Rights Reserved for All Countries

INDEX

	Page
Accessories	41
Belt Guard	41
Bench Stands	41
Foot Lifter Parts	41
Knee Lifter Parts	42
Machine Bases	42
Machine Base Oil Drain Jar	43
Machine No. 147-93	7
Machine No. 147-94	15
Machine No. 147-121	22
Machine No. 147-122	30
Numerical List of Parts	47
Set of Fittings 147611 for 147-93 and 147-94	38
Set of Fittings 147612 for 147-121	39
Set of Fittings 147613 for 147-122	40
Thread Unwinders	43

From the library of: Diamond Needle Corp

INSTRUCTIONS FOR ORDERING

In ordering from this list, use **ONLY** the part NUMBER in the **FIRST** column.

The number stamped on a Sewing Machine Part is in every case the number of the single part only.

Every combination of parts sent out as such has its specific number, which, although not stamped on the parts, must be used when ordering the combination.

Each number always indicates the **SAME PART** in whatever list it appears, or for whatever machine.

The letters after some of the numbers indicate the style of finish only, as follows:

- A—Hardened, Polished, Nickel Plated and Buffed
- A.A—Buffed and Chromium Plated
- A.B—Hardened, Polished, Buffed and Chromium Plated
- A.C—Brown Baking Enamel Finish
- A.D—Gray Baking Enamel Finish
- A.E—Hardened, Bright Rumbled and Nickel Plated
- A.F—Hardened, Bright Rumbled, Nickel Plated, Bright Rumbled and Chromium Plated
- A.G—Alumilite, Plain
- A.H—Alumilite, Dyed
- A.J—Polished, Nickel Plated and Chromium Plated
- A.K—Hardened, Polished, Nickel Plated and Chromium Plated
- A.L—Heat Treated for Toughness
 - B—Polished, Nickel Plated and Buffed
 - C—Hardened Only
- C.R—Hardened and Merlized
 - D—Polished Only
 - E—Soft, Not Polished
 - F—Hardened and Polished
- F.J—Hardened, Polished and Nickel Plated
 - G—Bright Rumbled and Nickel Plated
 - H—Blued
 - J—Nickel Plated Only
 - K—Hardened and Nickel Plated
 - L—Brass Plated
 - M—Oxidized
 - N—Japanned, Dull
 - P—Japanned, Bright
- P.P—Wrinkle Finish
 - R—Merlized
 - S—Cadmium Plated
 - T—Copper Plated
- T.A—Hardened, Polished, Copper and Nickel Plated and Buffed
- T.B—Copper and Nickel Plated and Polished
- T.J—Copper and Nickel Plated Only
- T.K—Hardened, Copper and Nickel Plated
- T.L—Copper and Brass Plated
- T.M—Copper Plated and Oxidized

INSTRUCTIONS FOR ORDERING—Continued

- U—Zinc Plated
- V—Silver Plated
- W—Polished and Nickel Plated
- X—Black Oxide, for Iron and Steel
- X.C—Hardened and Black Oxide, for Iron or Steel
- Y—Black Nickel Plated Only
- Z—Chromium Plated
- Z.A—Hardened, Polished, Nickel Plated, Buffed and Chromium Plated
- Z.B—Polished, Nickel Plated, Buffed and Chromium Plated
- Z.C—Hardened and Chromium Plated
- Z.D—Polished and Chromium Plated
- Z.G—Bright Rumbled, Nickel Plated, Bright Rumbled and Chromium Plated
- Z.J—Nickel and Chromium Plated
- Z.T—Copper and Chromium Plated

These letters **MUST BE USED** when they appear in the list; and **AFTER** the number as in the list.

In this series:

1 to 1500, 50001 to 51500 and 140001 to 142000 are Screw Numbers

1501 to 1800 and 51501 to 51800 are Nut Numbers

1801 to 2000 and 51801 to 52000 are Roller Numbers

2001 to 50000 and 52001 to 140000 and 142001 to 190000 are Sewing Machine Parts, 190001 and upward are numbers of Electrical Parts.

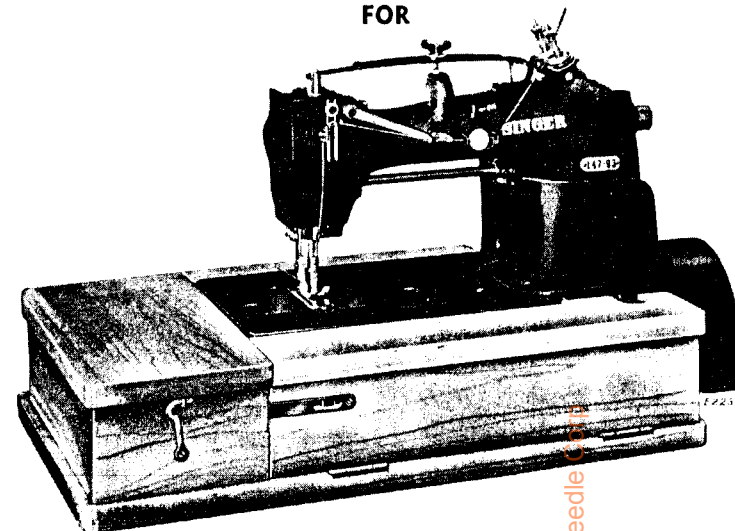
The figures in the second column refer only to the plates, illustrating the parts, and are **NOT TO BE USED** in ordering.

Parts marked with an asterisk (*) are furnished only when repairs are made at factory.

When ordering parts which differ as to Gauge (the distance between seams), the Gauge, as well as the Number must be given on order.

LIST OF PARTS COMPLETE

FOR



MACHINE No. 147-93

FOR SEWING AUTOMOBILE TRIM, AWNINGS, TARPULINS AND SIMILAR FABRICS. ONE NEEDLE, ONE LOOPER. INDEPENDENT UPPER AND UNDER FEEDS. BALL BEARING. LENGTH OF STITCH 3-1/2 TO 18 TO THE INCH. NEEDLE BAR STROKE 1-7/16". SPEED 4000, DEPENDING ON MATERIALS USED AND OPERATIONS PERFORMED.

SINGER Needles should be used
in SINGER Machines
These Needles and their Containers
are marked with the
Company's Trade Mark "SIMANCO.**" 1

Needles in Containers marked
"FOR SINGER MACHINES"
are NOT SINGER made needles. 2

No.	Plate	Name
*147573	Arm, upper and lower (solid) with 51422J, 68483, and four 131022.....
68428	20688	Arm Bottom Cover.....
68429	20688	Arm Bottom Cover Gasket (cork).....
1057AL	20688	Arm Bottom Cover Screw (4).....
50608R	20688	Arm Hole Plug Screw, for access to Crank Connecting Rod (upper bearing).....
139017	20688	Arm Hole Plug Screw Washer.....
68350	20679	Arm Oil Cup, for oiling Arm Rock Shaft Front Bearing.....
131864	24439	Arm Oil Cup.....
131865	24439	Arm Oil Cup Oil Gauge.....
131866	24439	Arm Oil Cup with Oil Gauge complete, for filling Oil Reservoir, Nos. 131864 and 131865.....
131319	20679	Arm Oil Cup Oil Pad for 68350.....
11119	20679	Arm Oil Tube with 52045, for oiling Thread (upper) Nipper.....
56003	20679	Arm Oil Tube with 52045, for oiling Feed (upper) Bell Crank Connection Sleeve.....
52045	20679	Arm Oil Tube Packing (wick) (2).....
131693	20679	Arm Rock Shaft and Front Crank with 853AL.....
131694	Arm Rock Shaft 131693 with 50328C, 131623 and two each 914J and 131695.....
1309C	20679	Arm Rock Shaft Adjusting Screw.....

From the Library of Diamond Needle Co.

No.	Plate	Name
131056	20679	Arm Rock Shaft Adjusting Screw Washer.....
68433	20679	Arm Rock Shaft Bushing (back).....
68435	20679	Arm Rock Shaft Bushing (back) Cap.....
131095	20679	Arm Rock Shaft Bushing (back) Cap Washer (fiber).....
446AL	20679	Arm Rock Shaft Bushing (back) Set Screw.....
68436	20679	Arm Rock Shaft Bushing (intermediate).....
423AL	20679	Arm Rock Shaft Bushing (intermediate) Set Screw.....
131486	24439	Arm Rock Shaft Crank, back (ball bearing, solid) with two 50083AL.....
50083AL	24439	Arm Rock Shaft Crank (back) Set Screw (2).....
131456	20679	Arm Rock Shaft Flanged Bushing (front).....
453AL	20679	Arm Rock Shaft Flanged Bushing (front) Set Screw.....
42365	20679	Arm Rock Shaft Oil Pad for oiling Back Bearing.....
54969	20679	Arm Rock Shaft Oil Pad for oiling Intermediate Bearing.....
147574	24439	Arm Rotary Shaft.....
NOTE: When No. 147574 is required for repairs, the Looper Driving Shaft and Feed Lifting Eccentric must be returned to the factory to be adjusted to the new part.		
147575	Arm Rotary Shaft 147574 with 640E, 131502, 131617, 131931 and 147507.....
131366	24439	Arm Rotary Shaft Ball Bearing (back) (2).....
131478	24439	Arm Rotary Shaft Ball Bearing (back) Case.....
131479	Arm Rotary Shaft Ball Bearing (back) Case 131478 with 131369 and three 205C.....
131526	Arm Rotary Shaft Ball Bearing (back) Case with Ball Bearings complete, Nos. 131479, 131480 and two 131366.....
131369	24439	Arm Rotary Shaft Ball Bearing (back) Case Cap.....
205C	24439	Arm Rotary Shaft Ball Bearing (back) Case Cap Screw (3).....
131370	24439	Arm Rotary Shaft Ball Bearing (back) Case Position Stud (3).....
429C	24439	Arm Rotary Shaft Ball Bearing (back) Case Set Screw.....
131480	24439	Arm Rotary Shaft Ball Bearing (back) Spacing Collar.....
131366	24439	Arm Rotary Shaft Ball Bearing (intermediate).....
131481	24439	Arm Rotary Shaft Ball Bearing (intermediate) Case.....
1304C	24439	Arm Rotary Shaft Ball Bearing (intermediate) Case Set Screw.....
131482	24439	Arm Rotary Shaft Ball Bearing (intermediate) Collar with two 457AL.....
457AL	24439	Arm Rotary Shaft Ball Bearing (intermediate) Collar Set Screw (2).....
131457	24439	Arm Rotary Shaft Bushing (front).....
761E	24439	Arm Rotary Shaft Bushing (front) Set Screw.....
42367	24439	Arm Rotary Shaft Front Bearing Oil Pad (lower).....
54218	24439	Arm Rotary Shaft Front Bearing Oil Pad (upper).....
144D	24439	Arm Rotary Shaft Screw.....
131276	20688	Arm Side Cover (oil vent).....
131909	20688	Arm Side Cover Cap.....
131280	20688	Arm Side Cover Cap Position Pin.....
1289X	20688	Arm Side Cover Cap Screw.....
131910	20688	Arm Side Cover Cap Spring.....
131911	20688	Arm Side Cover (oil vent) complete, Nos. 1289X, 131276, 131280, 131909 and 131910.....
68448	20688	Arm Side Cover Gasket (cork).....
1057AL	20688	Arm Side Cover Screw (4).....
131606	24440	Cloth Plate with 54309.....
54309	24440	Cloth Plate Oil Tube with 49092.....
49092	24440	Cloth Plate Oil Tube Packing (felt).....
68368	24440	Cloth Plate Slide (left).....
131050	24440	Cloth Plate Slide (left) Spring.....
665J	24440	Cloth Plate Slide (left) Spring Screw (2).....
131051	24440	Cloth Plate Slide (left) complete, Nos. 68368, 131050 and two 665J.....
131377	24440	Cloth Plate Slide (right).....

No.	Plate	Name
131381	24440	Cloth Plate Slide (right) Spring.....
665J	24440	Cloth Plate Slide (right) Spring Screw (2).....
131384	24440	Cloth Plate Slide (right) complete, Nos. 131377, 131381 and two 665J.....
147576	24440	Cloth Plate complete, Nos. 131051, 131384 and 131606.....
1011F	24440	Cloth Plate Screw (left) (2).....
50396F	24440	Cloth Plate Screw (right).....
131610	24440	Cloth Plate Thread Guard.....
389F	24440	Cloth Plate Thread Guard Screw (lower).....
50473F	24440	Cloth Plate Thread Guard Screw (upper).....
131926	24439	Crank Connecting Rod with two each 1057AL, 51715AL, 131927 and 131928.....
131931	Crank Connecting Rod 131926 with 131486.....
131927	24439	Crank Connecting Rod Cap (lower) Screw Stud (2).....
51715AL	24439	Crank Connecting Rod Cap (lower) Screw Stud Nut (2).....
131928	24439	Crank Connecting Rod Cap (lower) Screw Stud Nut Lock Washer (2).....
1057AL	24439	Crank Connecting Rod Cap (upper) Screw (2).....
147577	24442	Face Plate with 13862.....
13862	24442	Face Plate Oil Tube (short) with 52045, for oiling Feed (upper) Bar Connecting Link (upper).....
52045	24442	Face Plate Oil Tube Packing (wick).....
142W	24442	Face Plate Screw (2).....
147565	24453	Feed Dog, 15 teeth (10 teeth to the inch).....
140275J	24446	Feed Dog Screw.....
460AL	24446	Feed Dog Stop Screw.....
147578	24446	Feed (lower) Bar with two 456AL.....
131730	24446	Feed (lower) Bar Feed Dog Seat (adjustable) with 460AL.....
190J	24446	Feed (lower) Bar Feed Dog Seat Screw.....
22436	24446	Feed (lower) Bar Feed Dog Seat Screw Washer.....
147579	Feed (lower) Bar with Feed Dog Leveling Device complete Nos. 190J, 22436, 68467, 131730, 147578 and two 207E.....
147580	24446	Feed (lower) Bar Hinge Pin.....
59343	24446	Feed (lower) Bar Hinge Pin Collar with 735AL (2).....
735AL	24446	Feed (lower) Bar Hinge Pin Collar Set Screw (2).....
456AL	24446	Feed (lower) Bar Hinge Pin Set Screw (2).....
131943	24446	Feed (lower) Bar Slide Block.....
131944	24446	Feed (lower) Bar Slide Block 131943 with 68495 and 134260.....
68495	24446	Feed (lower) Bar Slide Block Oil Pad (wick).....
134260	24446	Feed (lower) Bar Slide Block Oil Pad Retainer.....
68467	24446	Feed (lower) Bar Wearing Plate.....
207E	24446	Feed (lower) Bar Wearing Plate Screw (2).....
131500	24439	Feed (lower) Connecting Rod with 1057AL, 68497, 134260 and two 896AL.....
131502	Feed (lower) Connecting Rod 131500 with 54025.....
896AL	24439	Feed (lower) Connecting Rod Cap Screw (2).....
1057AL	24439	Feed (lower) Connecting Rod Clamping Screw.....
147581	24446	Feed (lower) Connecting Rod Hinge Pin (eccentric).....
59343	24446	Feed (lower) Connecting Rod Hinge Pin Collar with 735AL.....
735AL	24446	Feed (lower) Connecting Rod Hinge Pin Collar Set Screw.....
68497	24439	Feed (lower) Connecting Rod Oil Pad (wick).....
134260	24439	Feed (lower) Connecting Rod Oil Pad Retainer.....
51061AL	24439	Feed (lower) Eccentric Body Set Screw (3).....
7071	24439	Feed (lower) Eccentric Clamping Washer (2).....
217J	24439	Feed (lower) Eccentric Clamping Washer Screw (2).....
138306	Feed (lower) Eccentric Lubricating Pad (wood).....
54025	24439	Feed (lower) Eccentric (adjustable) complete, Nos. 1103C, 138306, two each 217J, 7071 and three 51061AL.....
1103C	24439	Feed (lower) Regulating Screw.....
147582	24446	Feed (lower) Rocking Frame with two 453AL.....
147583	Feed (lower) Rocking Frame 147582 with 147579, 147580, 147581 and three 59343.....

From the brand: Dimplex Die Cast Corp.

No.	Plate	Name
57234	24446	Feed (lower) Rocking Frame Hinge Pin.....
57235	24446	Feed (lower) Rocking Frame Hinge Pin Bushing (2).....
453AL	24446	Feed (lower) Rocking Frame Hinge Pin Bushing Set Screw (2).....
453AL	24446	Feed (lower) Rocking Frame Hinge Pin Set Screw (2).....
147584	24442	Feed (upper) Bar.....
147585	Feed (upper) Bar 147584 with 199D, 52595, 54143, 131647, 131690 and three 1423W.....
54143	24442	Feed (upper) Bar Connecting Link (lower).....
1423W	24442	Feed (upper) Bar Connecting Link (lower) Cap Screw (2).....
131647	24442	Feed (upper) Bar Connecting Link (upper).....
199D	24442	Feed (upper) Bar Connecting Link (upper) Cap Screw (large).....
1423W	24442	Feed (upper) Bar Connecting Link (upper) Cap Screw (small).....
131648	24442	Feed (upper) Bar Connecting Link (upper) Cushion (textolite).....
131649	24442	Feed (upper) Bar Lifting Bracket with 1250AL.....
1250AL	24442	Feed (upper) Bar Lifting Bracket Position Screw.....
192274	24442	Feed (upper) Bar Spring.....
140173C	24442	Feed (upper) Bar Spring Cap Screw.....
131650	24442	Feed (upper) Bar Spring Thimble.....
131651	24442	Feed (upper) Bell Crank.....
131690	Feed (upper) Bell Crank 131651 with 131648, 131650, 140173C and 192274.....
131621	24442	Feed (upper) Bell Crank Connection with 140268AL.....
140268AL	24442	Feed (upper) Bell Crank Connection Clamping Screw.....
131622	24442	Feed (upper) Bell Crank Connection Sleeve.....
131623	20679	Feed (upper) Bell Crank Connection Sleeve Slide Block.....
131695	20679	Feed (upper) Bell Crank Connection Sleeve Slide Block Clamping Washer (2).....
914J	20679	Feed (upper) Bell Crank Connection Sleeve Slide Block Clamping Washer Screw (2).....
50328C	20679	Feed (upper) Bell Crank Connection Sleeve Slide Block Regulating Screw.....
131500	24439	Feed (upper) Connecting Rod with 1057AL, 68497, 134260 and two 896AL.....
131617	Feed (upper) Connecting Rod 131500 with 54456.....
896AL	24439	Feed (upper) Connecting Rod Cap Screw (2).....
1057AL	24439	Feed (upper) Connecting Rod Clamping Screw.....
131618	24446	Feed (upper) Connecting Rod Crank with two 140123AL.....
140123AL	24446	Feed (upper) Connecting Rod Crank Set Screw (2).....
131619	24446	Feed (upper) Connecting Rod Hinge Stud.....
68497	24439	Feed (upper) Connecting Rod Oil Pad (wick).....
134260	24439	Feed (upper) Connecting Rod Oil Pad Retainer.....
51061AL	24439	Feed (upper) Eccentric Body Set Screw (3).....
7071	24439	Feed (upper) Eccentric Clamping Washer (2).....
217J	24439	Feed (upper) Eccentric Clamping Washer Screw (2).....
138306	Feed (upper) Eccentric Lubricating Pad (wood).....
54456	24439	Feed (upper) Eccentric (adjustable) complete, Nos. 1103C, 138306, two each 217J, 7071 and three 51061AL.....
1103C	24439	Feed (upper) Regulating Screw.....
54155	24446	Feed (upper) Rock Shaft.....
54369	24446	Feed (upper) Rock Shaft Collar with two 465AL.....
465AL	24446	Feed (upper) Rock Shaft Collar Set Screw (2).....
54156	24446	Feed (upper) Rock Shaft Crank (back) with two 50200C.....
50200C	24446	Feed (upper) Rock Shaft Crank (back) Set Screw (2).....
52595	24442	Feed (upper) Rock Shaft Crank (front) with 1057AL.....
1057AL	24442	Feed (upper) Rock Shaft Crank (front) Clamping Screw.....
131624	24446	Feed (upper) Rock Shaft Pitman.....
131625	24446	Feed (upper) Rock Shaft Pitman Crank with two 50200C.....
50200C	24446	Feed (upper) Rock Shaft Pitman Crank Set Screw (2).....
131626	24446	Feed (upper) Rock Shaft Pitman Crank Shaft.....
131627	24446	Feed (upper) Rock Shaft Pitman Crank Shaft Bracket.....

No.	Plate	Name
129E	24446	Feed (upper) Rock Shaft Pitman Crank Shaft Bracket Screw (2).....
41F	24446	Feed (upper) Rock Shaft Pitman Hinge Screw (2).....
1520J	24446	Feed (upper) Rock Shaft Pitman Hinge Screw Nut (2).....
147586	24453	Feeding Foot.....
203J	24442	Feeding Foot Screw.....
68121	24453	Looper.....
131852	24453	Looper 68121 with 229E and 131853.....
54027	24447	Looper Carrier with two 175E.....
175E	24447	Looper Carrier Adjusting Screw (2).....
54227	24447	Looper Carrier Connection.....
54228	24447	Looper Carrier Connection Shaft.....
128419	24447	Looper Carrier Connection Shaft Oil Pad (braided cotton).....
68478	24447	Looper Carrier Connection Shaft Sleeve (eccentric).....
51263D	24447	Looper Carrier Connection Shaft Sleeve Cap Screw.....
131882	24447	Looper Carrier Connection Shaft Sleeve Collar with 50597C and two 443AL.....
50597C	24447	Looper Carrier Connection Shaft Sleeve Collar Position Screw Stud.....
443AL	24447	Looper Carrier Connection Shaft Sleeve Set Screw (2).....
68479	24447	Looper Carrier Driver with four 175E.....
175E	24447	Looper Carrier Driver Cap Screw (4).....
147506	24447	Looper Driving Shaft and Feed Lifting Eccentric.....
147507	Looper Driving Shaft and Feed Lifting Eccentric 147506 with 54027, 54227, 54228 and 68479.....
68483	Looper Driving Shaft and Feed Lifting Eccentric Bracket with 761E.....
51422J	24439	Looper Driving Shaft and Feed Lifting Eccentric Bracket Screw.....
131959	24447	Looper Driving Shaft and Feed Lifting Eccentric Bushing.....
131028	24447	Looper Driving Shaft and Feed Lifting Eccentric Bushing Oil Screw Plug.....
761E	24439	Looper Driving Shaft and Feed Lifting Eccentric Bushing Position Screw.....
68497	Looper Driving Shaft and Feed Lifting Eccentric Front Bearing Oil Pad (wick).....
640E	24439	Looper Driving Shaft and Feed Lifting Eccentric Screw.....
54035	24447	Looper Holder with 1120AL.....
51119J	24447	Looper Holder Screw.....
131853	24453	Looper Needle Guard with 46105.....
46105	24453	Looper Needle Guard Pin.....
229E	24453	Looper Needle Guard Screw.....
1120AL	24447	Looper Set Screw.....
131914	24439	Machine Driving Pulley (outside diam. of belt groove 2.9 in.) with two 51283AL, for "V" Belt.....
51283AL	24439	Machine Driving Pulley Set Screw (2).....
131739	24442	Needle Bar (hollow) with 857AL.....
168210	24442	Needle Bar Bushing (lower).....
1133E	24442	Needle Bar Bushing (lower) Set Screw.....
68187	24442	Needle Bar Bushing (upper).....
1133E	24442	Needle Bar Bushing (upper) Set Screw.....
68488	24442	Needle Bar Connecting Link and Thread (upper) Controller.....
131399	Needle Bar Connecting Link and Thread (upper) Controller 68488 with 68489 and 131400.....
68489	24442	Needle Bar Connecting Link Hinge Stud (hollow).....
1520J	24442	Needle Bar Connecting Link Hinge Stud Nut.....
131270	24442	Needle Bar Connecting Link Hinge Stud Oil Pad (wick).....
861C	24442	Needle Bar Connecting Link Hinge Stud Oil Plug Screw.....
853AL	20679	Needle Bar Connecting Link Hinge Stud Set Screw.....
131400	24442	Needle Bar Connecting Stud with 211C and 1492E.....
1492E	24442	Needle Bar Connecting Stud Clamping Screw.....
131316	24453	Needle Guard (movable).....
68123	24446	Needle Guard (movable) Clamp.....
857AL	24442	Needle Set Screw.....

No.	Plate	Name
147587	24449	Oil Pipe (back of arm) with 1733, 68494 and two 68497 for oiling Feed (lower) Rocking Frame Hinge Pin Front Bearing.....
147562	24449	Oil Pipe (back of arm) Clamp.....
147563	24449	Oil Pipe (back of arm) Clamping Plate.....
147564	24449	Oil Pipe (back of arm) Clamping Plate Bracket.....
443AL	24449	Oil Pipe (back of arm) Clamping Plate Bracket Screw.....
1520J	24449	Oil Pipe (back of arm) Clamping Plate Bracket Screw Lock Nut.....
176E	24449	Oil Pipe (back of arm) Clamping Plate Screw.....
68494	24449	Oil Pipe (back of arm) Connection with 68495 and two 198E, for oiling Feed (upper) Connecting Rod Hinge Stud.....
198E	24449	Oil Pipe (back of arm) Connection Cap Screw (2).....
68495	24449	Oil Pipe (back of arm) Connection Oil Pad (wick).....
68496	24449	Oil Pipe (back of arm) Coupling.....
1733	24449	Oil Pipe (back of arm) Coupling Nut (brass).....
68497	24449	Oil Pipe (back of arm) Oil Pad (wick) (2).....
131637	24449	Oil Pipe (front of arm) with 131089 and two 1733, for oiling Looper Driving Shaft and Feed Lifting Eccentric Front Bearing.....
131112	24449	Oil Pipe (front of arm) with 68497 and 131003, for oiling Feed (lower) Bar Slide Block.....
68500	24449	Oil Pipe (front of arm) with 1733, 131084 and 131089, for oiling Arm Rotary Shaft Front Bearing.....
131113	24449	Oil Pipe (front of arm) with 68497 and 131003, for oiling Feed Connecting Rod (2).....
131638	Oil Pipe (front of arm) complete, Nos. 68500, 131112, 131637 and two 131113.....
131002	24449	Oil Pipe (front of arm) Connection with two 198E for oiling Looper Carrier Connection Shaft.....
131003	24449	Oil Pipe (front of arm) Connection with two 198E, for 131112 and 131113 (3).....
131084	24449	Oil Pipe (front of arm) Connection with two 198E, for 68500.....
198E	24449	Oil Pipe (front of arm) Connection Cap Screw (10).....
131004	24449	Oil Pipe (front of arm) Coupling (center).....
131004	24449	Oil Pipe (front of arm) Coupling (left).....
131087	24449	Oil Pipe (front of arm) Coupling (right).....
1733	24449	Oil Pipe (front of arm) Coupling Nut (brass) (3).....
131089	24449	Oil Pipe (front of arm) Oil Pad (wick) for 68500 and 131637 (2).....
68497	24449	Oil Pipe (front of arm) Oil Pad (wick) for 131112 and 131113 (3).....
57255	24442	Presser Bar.....
131629	24442	Presser Bar Bushing (lower).....
1133E	24442	Presser Bar Bushing (lower) Set Screw.....
38456	24442	Presser Bar Bushing (upper).....
1133E	24442	Presser Bar Bushing (upper) Set Screw.....
131630	24442	Presser Bar Lifting Bracket with 453AL.....
131631	24442	Presser Bar Lifting Bracket Guide.....
453AL	24442	Presser Bar Lifting Bracket Guide Set Screw.....
453AL	24442	Presser Bar Lifting Bracket Set Screw.....
131632	20748	Presser Bar Lifting Lever.....
68184	20748	Presser Bar Lifting Lever Extension.....
161J	20748	Presser Bar Lifting Lever Extension Screw (2).....
802D	20748	Presser Bar Lifting Lever Hinge Screw.....
131749	20688	Presser Bar Spring.....
131750	20688	Presser Bar Spring (auxiliary).....
131751	20688	Presser Bar Spring Screw Stud.....
1637J	20688	Presser Bar Spring Screw Stud Lock Nut.....
38468	20688	Presser Bar Spring Stud.....
131830	20688	Presser Bar Spring complete, Nos. 1637J, 51697W, 131749, 131750, 131751 and 131752.....

No.	Plate	Name
131851	20688	Presser Bar Spring (less auxiliary Spring) complete, Nos. 1637J, 42290K, 51697W, 131749 and 131751.....
62527	24453	Presser Foot Hinge Pin.....
147588	24453	Presser Foot Plate.....
131860	24453	Presser Foot Shank.....
147589	24453	Presser Foot (hinged) complete, Nos. 62527, 131860 and 147588.....
190J	24442	Presser Foot Screw.....
51697W	20688	Pressure Regulating Thumb Nut.....
131752	20688	Pressure Regulating Thumb Nut Washer.....
42290K	20688	Pressure Regulating Thumb Nut Washer.....
131888	24450	Slack Thread Controller.....
54242	24450	Slack Thread Controller Clamp.....
190J	24450	Slack Thread Controller Clamp Screw.....
131403	24450	Slack Thread Regulator.....
131404	24450	Slack Thread Regulator Holder.....
131405	24450	Slack Thread Regulator Holder Crank with 171AL.....
1423J	24450	Slack Thread Regulator Holder Crank Cap Screw.....
171AL	24450	Slack Thread Regulator Holder Crank Clamping Screw.....
131406	24450	Slack Thread Regulator Holder Crank Connecting Link.....
217J	24450	Slack Thread Regulator Screw.....
131012	20748	Tension (under thread) Bracket.....
691AL	20748	Tension (under thread) Bracket Screw (2).....
2102	20748	Tension (under thread) Disc (4).....
51570C	20748	Tension (under thread) Regulating Thumb Nut (2).....
50326C	20748	Tension (under thread) Screw Stud (2).....
59539	Tension (under thread) Screw Stud 50326C with 51570C (2).....
131740	20748	Tension (under thread) Spring (2).....
59537	20748	Tension (under thread) Spring Bushing (large) (2).....
59538	20748	Tension (under thread) Spring Bushing (small) (2).....
131696	20748	Tension (under thread) Thread Guide (2).....
54070	20748	Tension (upper thread) Bracket.....
376J	20748	Tension (upper thread) Bracket Screw.....
2102	20748	Tension (upper thread) Disc (4).....
51570C	20748	Tension (upper thread) Regulating Thumb Nut (2).....
32572	20748	Tension (upper thread) Releasing Disc (2).....
54988	20748	Tension (upper thread) Releasing Pin (2).....
54071	20748	Tension (upper thread) Releasing Shaft.....
54047	20748	Tension (upper thread) Releasing Shaft Crank with 624AL.....
54048	20748	Tension (upper thread) Releasing Shaft Crank Link.....
624AL	20748	Tension (upper thread) Releasing Shaft Crank Set Screw.....
68261	20748	Tension (upper thread) Releasing Shaft Spring.....
131011	20748	Tension (upper thread) Releasing Shaft Spring Position Plate.....
316C	20748	Tension (upper thread) Releasing Shaft Stop Screw.....
1547J	20748	Tension (upper thread) Releasing Shaft Stop Screw Nut.....
50326C	20748	Tension (upper thread) Screw Stud (2).....
59539	Tension (upper thread) Screw Stud 50326C with 51570C (2).....
131741	20748	Tension (upper thread) Spring (2).....
59537	20748	Tension (upper thread) Spring Bushing (large) (2).....
59538	20748	Tension (upper thread) Spring Bushing (small) (2).....
131696	20748	Tension (upper thread) Thread Guide (2).....
53225	20748	Thread (under) Eyelet (back).....
190J	20748	Thread (under) Eyelet (back) Screw.....
54072	24452	Thread (under) Eyelet (front).....
131970	24439	Thread (under) Nipper Cam with 465AL.....
465AL	24439	Thread (under) Nipper Cam Set Screw.....
38210	24452	Thread (under) Nipper Spring (lower).....
38211	24452	Thread (under) Nipper Spring (upper).....
46247	24452	Thread (under) Nipper Spring (upper) Stop.....
176J	24452	Thread (under) Nipper Spring Screw.....
38475	24439	Thread (under) Take-up with 465AL.....
465AL	24439	Thread (under) Take-up Set Screw.....

No.	Plate	Name
53242	24452	Thread (under) Take-up Staple.....
54049	24452	Thread (under) Take-up Staple Bracket with 460AL.....
965D	24452	Thread (under) Take-up Staple Bracket Screw.....
46041	24452	Thread (under) Take-up Staple Spring.....
190J	24452	Thread (under) Take-up Staple Spring Screw.....
38482	24452	Thread (under) Take-up Stripper.....
207J	24452	Thread (under) Take-up Stripper Screw.....
131972	24439	Thread (under) Take-up Thread Guard.....
64356	24452	Thread (under) Take-up Thread Guard Steady Pin.....
460AL	24452	Thread (under) Take-up Thread Guard Steady Pin Set Screw.....
46009	24450	Thread (upper) Eyelet.....
190J	24450	Thread (upper) Eyelet Screw.....
68129	24450	Thread (upper) Nipper Body.....
1149AL	24450	Thread (upper) Nipper Body Set Screw.....
68130	24450	Thread (upper) Nipper Disc (inside).....
68131	24450	Thread (upper) Nipper Disc (inside) Washer (fiber).....
68132	24450	Thread (upper) Nipper Disc (outside).....
1698R	24450	Thread (upper) Nipper Disc (outside) Nut.....
59456	24450	Thread (upper) Nipper Disc (outside) Nut Washer.....
68133	24450	Thread (upper) Nipper Roller.....
68134	24450	Thread (upper) Nipper Roller Hinge Pin.....
68135	24450	Thread (upper) Nipper Stud.....
68136	24450	Thread (upper) Nipper Stud 68135 with 68133 and 68134..
131977	24450	Thread (upper) Nipper Stud Spring.....
68137	24450	Thread (upper) Nipper complete, Nos. 1698R, 59456, 68129, 68130, 68131, 68132, 68136 and 131977.....
68138	24450	Thread (upper) Nipper Thread Guide.....
207J	24450	Thread (upper) Nipper Thread Guide Screw.....
131334	24450	Thread (upper) Take-up.....
54095	24450	Thread (upper) Take-up Plate.....
68164	24450	Thread (upper) Take-up Plate Spring.....
1449J	24450	Thread (upper) Take-up Plate Spring Screw.....
131335	24450	Thread (upper) Take-up complete, Nos. 1449J, 54095, 68164 and 131334.....
211C	24442	Thread (upper) Take-up Set Screw.....
147566	24453	Throat Plate for lap seam felling and Automobile Upholstery work.....
147567	Throat Plate for plain sewing.....
742F	24453	Throat Plate Screw (2).....

LIST OF PARTS COMPLETE

FOR

MACHINE No. 147-94

FOR SEWING AUTOMOBILE TRIM, AWNINGS, TARPOLYNS AND SIMILAR FABRICS. ONE NEEDLE. ONE LOOPER. INDEPENDENT UPPER AND UNDER FEEDS. ALTERNATING PRESSERS. BALL BEARING. LENGTH OF STITCH 3-1/2 TO 18 TO THE INCH. NEEDLE BAR STROKE 1-7/16". SPEED 3000, DEPENDING ON MATERIALS USED AND OPERATIONS PERFORMED.

No.	Plate	Name
*147573	Arm, upper and lower (solid) with 51422J, 68483 and four 131022.....
68428	20688	Arm Bottom Cover.....
68429	20688	Arm Bottom Cover Gasket (cork).....
1057AL	20688	Arm Bottom Cover Screw (4).....
50608R	20688	Arm Hole Plug Screw, for access to Crank Connecting Rod (upper bearing).....
139017	20688	Arm Hole Plug Screw Washer.....
68350	20679	Arm Oil Cup, for oiling Arm Rock Shaft Front Bearing.....
131864	24439	Arm Oil Cup.....
131865	24439	Arm Oil Cup Oil Gauge.....
131866	24439	Arm Oil Cup with Oil Gauge complete for filling oil reservoir, Nos. 131864 and 131865.....
131319	20679	Arm Oil Cup Oil Pad for 68350.....
11119	20679	Arm Oil Tube with 52045, for oiling Thread (upper) Nipper.....
56003	20679	Arm Oil Tube with 52045, for oiling Feed (upper) Bell Crank Connection Sleeve.....
52045	20679	Arm Oil Tube Packing (wick) (2).....
131693	20679	Arm Rock Shaft and Front Crank with 853AL.....
131694	Arm Rock Shaft 131693 with 50328C, 131623 and two each 914J and 131695.....
1309C	20679	Arm Rock Shaft Adjusting Screw.....
131056	20679	Arm Rock Shaft Adjusting Screw Washer.....
68433	20679	Arm Rock Shaft Bushing (back).....
68435	20679	Arm Rock Shaft Bushing (back) Cap.....
131095	20679	Arm Rock Shaft Bushing (back) Cap Washer (fiber).....
446AL	20679	Arm Rock Shaft Bushing (back) Set Screw.....
68436	20679	Arm Rock Shaft Bushing (intermediate).....
423AL	20679	Arm Rock Shaft Bushing (intermediate) Set Screw.....
131486	24439	Arm Rock Shaft Crank, back (ball bearing, solid) with two 50083AL.....
50083AL	24439	Arm Rock Shaft Crank (back) Set Screw (2).....
131456	20679	Arm Rock Shaft Flanged Bushing (front).....
453AL	20679	Arm Rock Shaft Flanged Bushing (front) Set Screw.....
42365	20679	Arm Rock Shaft Oil Pad for oiling Back Bearing.....
54969	20679	Arm Rock Shaft Oil Pad for oiling Intermediate Bearing.....
147574	24439	Arm Rotary Shaft.....
NOTE: When No. 147574 is required for repairs, the Looper Driving Shaft and Feed Lifting Eccentric must be returned to the factory to be adjusted to the new part.		
147575	Arm Rotary Shaft 147574 with 640E, 131502, 131617, 131931 and 147507.....
131366	24439	Arm Rotary Shaft Ball Bearing (back) (2).....
131478	24439	Arm Rotary Shaft Ball Bearing (back) Case.....

From the Library of: Diamond Needle Corp.

No.	Plate	Name	No.	Plate	Name
131479	Arm Rotary Shaft Ball Bearing (back) Case 131478 with 131369 and three 205C.....	131730	24446	Feed (lower) Bar Feed Dog Seat (adjustable) with 460AL....
131526	Arm Rotary Shaft Ball Bearing (back) Case with Ball Bearings complete, Nos. 131479, 131480 and two 131366.....	190J	24446	Feed (lower) Bar Feed Dog Seat Screw.....
131369	24439	Arm Rotary Shaft Ball Bearing (back) Case Cap.....	22436	24446	Feed (lower) Bar Feed Dog Seat Screw Washer.....
205C	24439	Arm Rotary Shaft Ball Bearing (back) Case Cap Screw (3)..	147579	Feed (lower) Bar with Feed Dog Leveling Device complete, Nos. 190J, 22436, 68467, 131730, 147578 and two 207E
131370	24439	Arm Rotary Shaft Ball Bearing (back) Case Position Stud (3)	147580	24446	Feed (lower) Bar Hinge Pin.....
429C	24439	Arm Rotary Shaft Ball Bearing (back) Case Set Screw.....	59343	24446	Feed (lower) Bar Hinge Pin Collar with 735AL (2).....
131480	24439	Arm Rotary Shaft Ball Bearing (back) Spacing Collar.....	735AL	24446	Feed (lower) Bar Hinge Pin Collar Set Screw (2).....
131366	24439	Arm Rotary Shaft Ball Bearing (intermediate).....	456AL	24446	Feed (lower) Bar Hinge Pin Set Screw (2).....
131481	24439	Arm Rotary Shaft Ball Bearing (intermediate) Case.....	131943	24446	Feed (lower) Bar Slide Block.....
1304C	24439	Arm Rotary Shaft Ball Bearing (intermediate) Case Set Screw.....	131944	24446	Feed (lower) Bar Slide Block 131943 with 68495 and 134260.....
131482	24439	Arm Rotary Shaft Ball Bearing (intermediate) Collar with two 457AL.....	68495	24446	Feed (lower) Bar Slide Block Oil Pad (wick).....
457AL	24439	Arm Rotary Shaft Ball Bearing (intermediate) Collar Set Screw (2).....	134260	24446	Feed (lower) Bar Slide Block Oil Pad Retainer.....
131457	24439	Arm Rotary Shaft Bushing (front).....	68467	24446	Feed (lower) Bar Wearing Plate.....
761E	24439	Arm Rotary Shaft Bushing (front) Set Screw.....	207E	24446	Feed (lower) Bar Wearing Plate Screw (2).....
42367	24439	Arm Rotary Shaft Front Bearing Oil Pad (lower).....	131500	24439	Feed (lower) Connecting Rod with 1057AL, 68497, 134260 and two 896AL.....
54218	24439	Arm Rotary Shaft Front Bearing Oil Pad (upper).....	131502	Feed (lower) Connecting Rod 131500 with 54025.....
144D	24439	Arm Rotary Shaft Screw.....	896AL	24439	Feed (lower) Connecting Rod Cap Screw (2).....
131276	20688	Arm Side Cover (oil vent).....	1057AL	24439	Feed (lower) Connecting Rod Clamping Screw.....
131909	20688	Arm Side Cover Cap.....	147581	24446	Feed (lower) Connecting Rod Hinge Pin (eccentric).....
131280	20688	Arm Side Cover Cap Position Pin.....	59343	24446	Feed (lower) Connecting Rod Hinge Pin Collar with 735AL.....
1289X	20688	Arm Side Cover Cap Screw.....	735AL	24446	Feed (lower) Connecting Rod Hinge Pin Collar Set Screw.....
131910	20688	Arm Side Cover Cap Spring.....	68497	24439	Feed (lower) Connecting Rod Oil Pad (wick).....
131911	20688	Arm Side Cover (oil vent) complete, Nos. 1289X, 131276, 131280, 131909 and 131910.....	134260	24439	Feed (lower) Connecting Rod Oil Pad Retainer.....
68448	20688	Arm Side Cover Gasket (cork).....	51061AL	24439	Feed (lower) Eccentric Body Set Screw (3).....
1057AL	20688	Arm Side Cover Screw (4).....	7071	24439	Feed (lower) Eccentric Clamping Washer (2).....
131606	24440	Cloth Plate with 54309.....	217J	24439	Feed (lower) Eccentric Clamping Washer Screw (2).....
54309	24440	Cloth Plate Oil Tube with 49092.....	138306	Feed (lower) Eccentric Lubricating Pad (wood).....
49092	24440	Cloth Plate Oil Tube Packing (felt).....	54025	24439	Feed (lower) Eccentric (adjustable) complete, Nos. 1103C, 138306, two each 217J, 7071 and three 51061AL.....
68368	24440	Cloth Plate Slide (left).....	1103C	24439	Feed (lower) Regulating Screw.....
131050	24440	Cloth Plate Slide (left) Spring.....	147582	24446	Feed (lower) Rocking Frame with two 453AL.....
665J	24440	Cloth Plate Slide (left) Spring Screw (2).....	147583	Feed (lower) Rocking Frame 147582 with 147579, 147580, 147581 and three 59343.....
131051	24440	Cloth Plate Slide (left) complete, Nos. 68368, 131050 and two 665J.....	57234	24446	Feed (lower) Rocking Frame Hinge Pin.....
131377	24440	Cloth Plate Slide (right).....	57235	24446	Feed (lower) Rocking Frame Hinge Pin Bushing (2).....
131381	24440	Cloth Plate Slide (right) Spring.....	453AL	24446	Feed (lower) Rocking Frame Hinge Pin Bushing Set Screw (2).....
665J	24440	Cloth Plate Slide (right) Spring Screw (2).....	453AL	24446	Feed (lower) Rocking Frame Hinge Pin Set Screw (2).....
131384	24440	Cloth Plate Slide (right) complete, Nos. 131377, 131381 and two 665J.....	147590	24443	Feed (upper) Bar.....
147576	24440	Cloth Plate complete, Nos. 131051, 131384 and 131606.....	147591	Feed (upper) Bar 147590 with 1194C, 1283C, 1708J, 1749C, 9525, 68173, 68174, 68175, 68177, 68178, 68181, 147560 and four 1239F.....
1011F	24440	Cloth Plate Screw (left) (2).....	1239F	24443	Feed (upper) Bar Cap Screw.....
50396F	24440	Cloth Plate Screw (right).....	68173	24443	Feed (upper) Bar Connecting Bracket with 140123AL.....
131610	24440	Cloth Plate Thread Guard.....	140123AL	24443	Feed (upper) Bar Connecting Bracket Set Screw.....
389F	24440	Cloth Plate Thread Guard Screw (lower).....	68174	24443	Feed (upper) Bar Connecting Link.....
50473F	24440	Cloth Plate Thread Guard Screw (upper).....	1283C	24443	Feed (upper) Bar Connecting Link Hinge Screw.....
131926	24439	Crank Connecting Rod with two each 1057AL, 51715AL, 131927 and 131928.....	1708J	24443	Feed (upper) Bar Connecting Link Hinge Screw Nut.....
131931	Crank Connecting Rod 131926 with 131486.....	68175	24443	Feed (upper) Bell Crank.....
131927	24439	Crank Connecting Rod Cap (lower) Screw Stud (2).....	1239F	24443	Feed (upper) Bell Crank Cap Screw (2).....
51715AL	24439	Crank Connecting Rod Cap (lower) Screw Stud Nut (2).....	131621	24443	Feed (upper) Bell Crank Connection with 140268AL.....
131928	24439	Crank Connecting Rod Cap (lower) Screw Stud Nut Lock Washer (2).....	140268AL	24443	Feed (upper) Bell Crank Connection Clamping Screw.....
1057AL	24439	Crank Connecting Rod Cap (upper) Screw (2).....	131622	24443	Feed (upper) Bell Crank Connection Sleeve.....
131735	24443	Face Plate.....	131623	20679	Feed (upper) Bell Crank Connection Sleeve Slide Block.....
142W	24443	Face Plate Screw (2).....	131695	20679	Feed (upper) Bell Crank Connection Sleeve Slide Block Clamping Washer (2).....
147565	24453	Feed Dog, 15 teeth (10 teeth to the inch).....	914J	20679	Feed (upper) Bell Crank Connection Sleeve Slide Block Clamping Washer Screw (2).....
140275J	24446	Feed Dog Screw.....	50328C	20679	Feed (upper) Bell Crank Connection Sleeve Slide Block Regulating Screw.....
460AL	24446	Feed Dog Stop Screw.....	131500	24439	Feed (upper) Connecting Rod with 1057AL, 68497, 134260 and two 896AL.....
147578	24446	Feed (lower) Bar with two 456AL.....	131617	Feed (upper) Connecting Rod 131500 with 54456.....
			896AL	24439	Feed (upper) Connecting Rod Cap Screw (2).....

No.	Plate	Name
131730	24446	Feed (lower) Bar Feed Dog Seat (adjustable) with 460AL....
190J	24446	Feed (lower) Bar Feed Dog Seat Screw.....
22436	24446	Feed (lower) Bar Feed Dog Seat Screw Washer.....
147579	Feed (lower) Bar with Feed Dog Leveling Device complete, Nos. 190J, 22436, 68467, 131730, 147578 and two 207E
147580	24446	Feed (lower) Bar Hinge Pin.....
59343	24446	Feed (lower) Bar Hinge Pin Collar with 735AL (2).....
735AL	24446	Feed (lower) Bar Hinge Pin Collar Set Screw (2).....
456AL	24446	Feed (lower) Bar Hinge Pin Set Screw (2).....
131943	24446	Feed (lower) Bar Slide Block.....
131944	24446	Feed (lower) Bar Slide Block 131943 with 68495 and 134260.....
68495	24446	Feed (lower) Bar Slide Block Oil Pad (wick).....
134260	24446	Feed (lower) Bar Slide Block Oil Pad Retainer.....
68467	24446	Feed (lower) Bar Wearing Plate.....
207E	24446	Feed (lower) Bar Wearing Plate Screw (2).....
131500	24439	Feed (lower) Connecting Rod with 1057AL, 68497, 134260 and two 896AL.....
131502	Feed (lower) Connecting Rod 131500 with 54025.....
896AL	24439	Feed (lower) Connecting Rod Cap Screw (2).....
1057AL	24439	Feed (lower) Connecting Rod Clamping Screw.....
147581	24446	Feed (lower) Connecting Rod Hinge Pin (eccentric).....
59343	24446	Feed (lower) Connecting Rod Hinge Pin Collar with 735AL.....
735AL	24446	Feed (lower) Connecting Rod Hinge Pin Collar Set Screw.....
68497	24439	Feed (lower) Connecting Rod Oil Pad (wick).....
134260	24439	Feed (lower) Connecting Rod Oil Pad Retainer.....
51061AL	24439	Feed (lower) Eccentric Body Set Screw (3).....
7071	24439	Feed (lower) Eccentric Clamping Washer (2).....
217J	24439	Feed (lower) Eccentric Clamping Washer Screw (2).....
138306	Feed (lower) Eccentric Lubricating Pad (wood).....
54025	24439	Feed (lower) Eccentric (adjustable) complete, Nos. 1103C, 138306, two each 217J, 7071 and three 51061AL.....
1103C	24439	Feed (lower) Regulating Screw.....
147582	24446	Feed (lower) Rocking Frame with two 453AL.....
147583	Feed (lower) Rocking Frame 147582 with 147579, 147580, 147581 and three 59343.....
57234	24446	Feed (lower) Rocking Frame Hinge Pin.....
57235	24446	Feed (lower) Rocking Frame Hinge Pin Bushing (2).....
453AL	24446	Feed (lower) Rocking Frame Hinge Pin Bushing Set Screw (2).....
453AL	24446	Feed (lower) Rocking Frame Hinge Pin Set Screw (2).....
147590	24443	Feed (upper) Bar.....
147591	Feed (upper) Bar 147590 with 1194C, 1283C, 1708J, 1749C, 9525, 68173, 68174, 68175, 68177, 68178, 68181, 147560 and four 1239F.....
1239F	24443	Feed (upper) Bar Cap Screw.....
68173	24443	Feed (upper) Bar Connecting Bracket with 140123AL.....
140123AL	24443	Feed (upper) Bar Connecting Bracket Set Screw.....
68174	24443	Feed (upper) Bar Connecting Link.....
1283C	24443	Feed (upper) Bar Connecting Link Hinge Screw.....
1708J	24443	Feed (upper) Bar Connecting Link Hinge Screw Nut.....
68175	24443	Feed (upper) Bell Crank.....
1239F	24443	Feed (upper) Bell Crank Cap Screw (2).....
131621	24443	Feed (upper) Bell Crank Connection with 140268AL.....
140268AL	24443	Feed (upper) Bell Crank Connection Clamping Screw.....
131622	24443	Feed (upper) Bell Crank Connection Sleeve.....
131623	20679	Feed (upper) Bell Crank Connection Sleeve Slide Block.....
131695	20679	Feed (upper) Bell Crank Connection Sleeve Slide Block Clamping Washer (2).....
914J	20679	Feed (upper) Bell Crank Connection Sleeve Slide Block Clamping Washer Screw (2).....
50328C	20679	Feed (upper) Bell Crank Connection Sleeve Slide Block Regulating Screw.....
131500	24439	Feed (upper) Connecting Rod with 1057AL, 68497, 134260 and two 896AL.....
131617	Feed (upper) Connecting Rod 131500 with 54456.....
896AL	24439	Feed (upper) Connecting Rod Cap Screw (2).....

No.	Plate	Name
1057AL	24439	Feed (upper) Connecting Rod Clamping Screw.....
131618	24446	Feed (upper) Connecting Rod Crank with two 140123AL.....
140123AL	24446	Feed (upper) Connecting Rod Crank Set Screw (2).....
131619	24446	Feed (upper) Connecting Rod Hinge Stud.....
68497	24439	Feed (upper) Connecting Rod Oil Pad (wick).....
134260	24439	Feed (upper) Connecting Rod Oil Pad Retainer.....
51061AL	24439	Feed (upper) Eccentric Body Set Screw (3).....
7071	24439	Feed (upper) Eccentric Clamping Washer (2).....
217J	24439	Feed (upper) Eccentric Clamping Washer Screw (2).....
138306	Feed (upper) Eccentric Lubricating Pad (wood).....
54456	24439	Feed (upper) Eccentric (adjustable) complete, Nos. 1103C, 138306, two each 217J, 7071 and three 51061AL.....
147560	24443	Feed (upper) Lifting Regulator.....
68177	24443	Feed (upper) Lifting Regulator Connecting Link.....
1239F	24443	Feed (upper) Lifting Regulator Connecting Link Cap Screw..
1194C	24443	Feed (upper) Lifting Regulating Screw.....
1749C	24443	Feed (upper) Lifting Regulating Screw Nut.....
9525	24443	Feed (upper) Lifting Regulating Screw Washer.....
1103C	24439	Feed (upper) Regulating Screw.....
54155	24446	Feed (upper) Rock Shaft.....
54369	24446	Feed (upper) Rock Shaft Collar with two 465AL.....
465AL	24446	Feed (upper) Rock Shaft Collar Set Screw (2).....
54156	24446	Feed (upper) Rock Shaft Crank (back) with two 50200C.....
50200C	24446	Feed (upper) Rock Shaft Crank (back) Set Screw (2).....
68178	24443	Feed (upper) Rock Shaft Crank (front) with 172E.....
172E	24443	Feed (upper) Rock Shaft Crank (front) Clamping Screw.....
131624	24446	Feed (upper) Rock Shaft Pitman.....
131625	24446	Feed (upper) Rock Shaft Pitman Crank with two 50200C.....
50200C	24446	Feed (upper) Rock Shaft Pitman Crank Set Screw (2).....
131626	24446	Feed (upper) Rock Shaft Pitman Crank Shaft.....
131627	24446	Feed (upper) Rock Shaft Pitman Crank Shaft Bracket.....
129E	24446	Feed (upper) Rock Shaft Pitman Crank Shaft Bracket Screw (2)
41F	24446	Feed (upper) Rock Shaft Pitman Hinge Screw (2).....
1520J	24446	Feed (upper) Rock Shaft Pitman Hinge Screw Nut (2).....
147586	24453	Feeding Foot.....
203J	24443	Feeding Foot Screw.....
57255	24443	Lifting Presser Bar.....
131629	24443	Lifting Presser Bar Bushing (lower).....
1133E	24443	Lifting Presser Bar Bushing (lower) Set Screw.....
38456	24443	Lifting Presser Bar Bushing (upper).....
1133E	24443	Lifting Presser Bar Bushing (upper) Set Screw.....
68181	24443	Lifting Presser Bar Guide Bracket (upper) with 50200C.....
50200C	24443	Lifting Presser Bar Guide Bracket (upper) Set Screw.....
131630	24443	Lifting Presser Bar Lifting Bracket with 453AL.....
131631	24443	Lifting Presser Bar Lifting Bracket Guide.....
453AL	24443	Lifting Presser Bar Lifting Bracket Guide Set Screw.....
453AL	24443	Lifting Presser Bar Lifting Bracket Set Screw.....
131632	20748	Lifting Presser Bar Lifting Lever.....
68184	20748	Lifting Presser Bar Lifting Lever Extension.....
161J	20748	Lifting Presser Bar Lifting Lever Extension Screw (2).....
802D	20748	Lifting Presser Bar Lifting Lever Hinge Screw.....
131749	20688	Lifting Presser Bar Spring.....
131750	20688	Lifting Presser Bar Spring (auxiliary).....
131751	20688	Lifting Presser Bar Spring Screw Stud.....
1637J	20688	Lifting Presser Bar Spring Screw Stud Lock Nut.....
38468	20688	Lifting Presser Bar Spring Stud.....
131830	20688	Lifting Presser Bar Spring complete, Nos. 1637J, 51697W, 131749, 131750, 131751 and 131752.....
131851	20688	Lifting Presser Bar Spring (less auxiliary spring) complete, Nos. 1637J, 42290K, 51697W, 131749 and 131751.....
62527	24453	Lifting Presser Foot Hinge Pin.....
147588	24453	Lifting Presser Foot Plate.....
131860	24453	Lifting Presser Foot Shank.....
147589	24453	Lifting Presser Foot (hinged) complete, Nos. 62527, 131860 and 147588.....
190J	24443	Lifting Presser Foot Screw.....

No.	Plate	Name
68121	24453	Looper.....
131852	24453	Looper 68121 with 229E and 131853.....
54027	24447	Looper Carrier with two 175E.....
175E	24447	Looper Carrier Adjusting Screw (2).....
54227	24447	Looper Carrier Connection.....
54228	24447	Looper Carrier Connection Shaft.....
128419	24447	Looper Carrier Connection Shaft Oil Pad (braided cotton)..
68478	24447	Looper Carrier Connection Shaft Sleeve (eccentric).....
51263D	24447	Looper Carrier Connection Shaft Sleeve Cap Screw.....
131882	24447	Looper Carrier Connection Shaft Sleeve Collar with 50597C and two 443AL.....
50597C	24447	Looper Carrier Connection Shaft Sleeve Collar Position Screw Stud.....
443AL	24447	Looper Carrier Connection Shaft Sleeve Set Screw (2).....
68479	24447	Looper Carrier Driver with four 175E.....
175E	24447	Looper Carrier Driver Cap Screw (4).....
147506	24447	Looper Driving Shaft and Feed Lifting Eccentric.....
147507	Looper Driving Shaft and Feed Lifting Eccentric 147506 with 54027, 54227, 54228 and 68479.....
68483	Looper Driving Shaft and Feed Lifting Eccentric Bracket with 761E.....
51422J	24439	Looper Driving Shaft and Feed Lifting Eccentric Bracket Screw.....
131959	24447	Looper Driving Shaft and Feed Lifting Eccentric Bushing.....
131028	24447	Looper Driving Shaft and Feed Lifting Eccentric Bushing Oil Screw Plug.....
761E	24439	Looper Driving Shaft and Feed Lifting Eccentric Bushing Position Screw.....
68497	Looper Driving Shaft and Feed Lifting Eccentric Front Bearing Oil Pad (wick).....
640E	24439	Looper Driving Shaft and Feed Lifting Eccentric Screw.....
54035	24447	Looper Holder with 1120AL.....
51119J	24447	Looper Holder Screw.....
131853	24453	Looper Needle Guard with 46105.....
46105	24453	Looper Needle Guard Pin.....
229E	24453	Looper Needle Guard Screw.....
1120AL	24447	Looper Set Screw.....
131914	24439	Machine Driving Pulley (outside diam. of belt groove 2.9 in.) with two 51283AL, for "V" Belt.....
51283AL	24439	Machine Driving Pulley Set Screw (2).....
131739	24443	Needle Bar (hollow) with 857AL.....
168210	24443	Needle Bar Bushing (lower).....
1133E	24443	Needle Bar Bushing (lower) Set Screw.....
68187	24443	Needle Bar Bushing (upper).....
1133E	24443	Needle Bar Bushing (upper) Set Screw.....
68488	24443	Needle Bar Connecting Link and Thread (upper) Controller Needle Bar Connecting Link and Thread (upper) Controller 68488 with 68489 and 131400.....
131399	Needle Bar Connecting Link Hinge Stud (hollow).....
68489	24443	Needle Bar Connecting Link Hinge Stud Nut.....
1520J	24443	Needle Bar Connecting Link Hinge Stud Oil Pad (wick).....
131270	24443	Needle Bar Connecting Link Hinge Stud Oil Plug Screw.....
861C	24443	Needle Bar Connecting Link Hinge Stud Set Screw.....
853AL	20679	Needle Bar Connecting Stud with 211C and 1492E.....
131400	24443	Needle Bar Connecting Stud Clamping Screw.....
1492E	24443	Needle Guard (movable).....
131316	24453	Needle Guard (movable) Clamp.....
68123	24446	Needle Set Screw.....
857AL	24443	Oil Pipe (back of arm) with 1733, 68494 and two 68497, for oiling Feed (lower) Rocking Frame Hinge Pin Front Bearing.....
147587	24449	Oil Pipe (back of arm) Clamp.....
147562	24449	Oil Pipe (back of arm) Clamping Plate.....
147563	24449	Oil Pipe (back of arm) Clamping Plate Bracket.....
147564	24449	Oil Pipe (back of arm) Clamping Plate Bracket Screw.....
443AL	24449	Oil Pipe (back of arm) Clamping Plate Bracket Screw.....

For information, contact: Dialer Medical Corp.

No.	Plate	Name
1520J	24449	Oil Pipe (back of arm) Clamping Plate Bracket Screw Lock Nut
176E	24449	Oil Pipe (back of arm) Clamping Plate Screw
68494	24449	Oil Pipe (back of arm) Connection with 68495 and two 198E, for oiling Feed (upper) Connecting Rod Hinge Stud
198E	24449	Oil Pipe (back of arm) Connection Cap Screw (2)
68495	24449	Oil Pipe (back of arm) Connection Oil Pad (wick)
68496	24449	Oil Pipe (back of arm) Coupling
1733	24449	Oil Pipe (back of arm) Coupling Nut (brass)
68497	24449	Oil Pipe (back of arm) Oil Pad (wick) (2)
131637	24449	Oil Pipe (front of arm) with 131089 and two 1733, for oiling Looper Driving Shaft and Feed Lifting Eccentric Front Bearing
131112	24449	Oil Pipe (front of arm) with 68497 and 131003, for oiling Feed (lower) Bar Slide Block
68500	24449	Oil Pipe (front of arm) with 1733, 131084 and 131089, for oiling Arm Rotary Shaft Front Bearing
131113	24449	Oil Pipe (front of arm) with 68497 and 131003, for oiling Feed Connecting Rod (2)
131638	Oil Pipe (front of arm) complete, Nos. 68500, 131112, 131637 and two 131113
131002	24449	Oil Pipe (front of arm) Connection with two 198E, for oiling Looper Carrier Connection Shaft
131003	24449	Oil Pipe (front of arm) Connection with two 198E, for 131112 and 131113 (3)
131084	24449	Oil Pipe (front of arm) Connection with two 198E, for 68500
198E	24449	Oil Pipe (front of arm) Connection Cap Screw (10)
131004	24449	Oil Pipe (front of arm) Coupling (center)
131004	24449	Oil Pipe (front of arm) Coupling (left)
131087	24449	Oil Pipe (front of arm) Coupling (right)
1733	24449	Oil Pipe (front of arm) Coupling Nut (brass) (3)
131089	24449	Oil Pipe (front of arm) Oil Pad (wick) for 68500 and 131637 (2)
68497	24449	Oil Pipe (front of arm) Oil Pad (wick) for 131112 and 131113 (3)
51697W	20688	Pressure Regulating Thumb Nut
131752	20688	Pressure Regulating Thumb Nut Washer
42290K	20688	Pressure Regulating Thumb Nut Washer
131888	24451	Slack Thread Controller
54242	24451	Slack Thread Controller Clamp
190J	24451	Slack Thread Controller Clamp Screw
131403	24451	Slack Thread Regulator
131404	24451	Slack Thread Regulator Holder
131405	24451	Slack Thread Regulator Holder Crank with 171AL
1423J	24451	Slack Thread Regulator Holder Crank Cap Screw
171AL	24451	Slack Thread Regulator Holder Crank Clamping Screw
131639	24451	Slack Thread Regulator Holder Crank Connecting Link
217J	24451	Slack Thread Regulator Screw
131012	20748	Tension (under thread) Bracket
691AL	20748	Tension (under thread) Bracket Screw (2)
2102	20748	Tension (under thread) Disc (4)
51570C	20748	Tension (under thread) Regulating Thumb Nut (2)
50326C	20748	Tension (under thread) Screw Stud (2)
59539	Tension (under thread) Screw Stud 50326C with 51570C (2)
131740	20748	Tension (under thread) Spring (2)
59537	20748	Tension (under thread) Spring Bushing (large) (2)
59538	20748	Tension (under thread) Spring Bushing (small) (2)
131696	20748	Tension (under thread) Thread Guide (2)
54070	20748	Tension (upper thread) Bracket
376J	20748	Tension (upper thread) Bracket Screw
2102	20748	Tension (upper thread) Disc (4)
51570C	20748	Tension (upper thread) Regulating Thumb Nut (2)
32572	20748	Tension (upper thread) Releasing Disc (2)

No.	Plate	Name
54988	20748	Tension (upper thread) Releasing Pin (2)
54071	20748	Tension (upper thread) Releasing Shaft
54047	20748	Tension (upper thread) Releasing Shaft Crank with 624AL
54048	20748	Tension (upper thread) Releasing Shaft Crank Link
624AL	20748	Tension (upper thread) Releasing Shaft Crank Set Screw
68261	20748	Tension (upper thread) Releasing Shaft Spring
131011	20748	Tension (upper thread) Releasing Shaft Spring Position Plate
316C	20748	Tension (upper thread) Releasing Shaft Stop Screw
1547J	20748	Tension (upper thread) Releasing Shaft Stop Screw Nut
50326C	20748	Tension (upper thread) Screw Stud (2)
59539	Tension (upper thread) Screw Stud 50326C with 51570C (2)
131741	20748	Tension (upper thread) Spring (2)
59537	20748	Tension (upper thread) Spring Bushing (large) (2)
59538	20748	Tension (upper thread) Spring Bushing (small) (2)
131696	20748	Tension (upper thread) Thread Guide (2)
53225	20748	Thread (under) Eyelet (back)
190J	20748	Thread (under) Eyelet (back) Screw
54072	24452	Thread (under) Eyelet (front)
131970	24439	Thread (under) Nipper Cam with 465AL
465AL	24439	Thread (under) Nipper Cam Set Screw
38210	24452	Thread (under) Nipper Spring (lower)
38211	24452	Thread (under) Nipper Spring (upper)
46247	24452	Thread (under) Nipper Spring (upper) Stop
176J	24452	Thread (under) Nipper Spring Screw
38475	24439	Thread (under) Take-up with 465AL
465AL	24439	Thread (under) Take-up Set Screw
53242	24452	Thread (under) Take-up Staple
54049	24452	Thread (under) Take-up Staple Bracket with 460AL
965D	24452	Thread (under) Take-up Staple Bracket Screw
46041	24452	Thread (under) Take-up Staple Spring
190J	24452	Thread (under) Take-up Staple Spring Screw
38482	24452	Thread (under) Take-up Stripper
207J	24452	Thread (under) Take-up Stripper Screw
131972	24439	Thread (under) Take-up Thread Guard
64356	24452	Thread (under) Take-up Thread Guard Steady Pin
460AL	24452	Thread (under) Take-up Thread Guard Steady Pin Screw
46009	24451	Thread (upper) Eyelet
190J	24451	Thread (upper) Eyelet Screw
68129	24451	Thread (upper) Nipper Body
1149AL	24451	Thread (upper) Nipper Body Set Screw
68130	24451	Thread (upper) Nipper Disc (inside)
68131	24451	Thread (upper) Nipper Disc (inside) Washer (fiber)
68132	24451	Thread (upper) Nipper Disc (outside)
1698R	24451	Thread (upper) Nipper Disc (outside) Nut
59456	24451	Thread (upper) Nipper Disc (outside) Nut Washer
68133	24451	Thread (upper) Nipper Roller
68134	24451	Thread (upper) Nipper Roller Hinge Pin
68135	24451	Thread (upper) Nipper Stud
68136	Thread (upper) Nipper Stud 68135 with 68133 and 68134
131977	24451	Thread (upper) Nipper Stud Spring
68137	24451	Thread (upper) Nipper complete, Nos. 1698R, 59456, 68129, 68130, 68131, 68132, 68136 and 131977
68138	24451	Thread (upper) Nipper Thread Guide
207J	24451	Thread (upper) Nipper Thread Guide Screw
131334	24451	Thread (upper) Take-up
54095	24451	Thread (upper) Take-up Plate
68164	24451	Thread (upper) Take-up Plate Spring
1449J	24451	Thread (upper) Take-up Plate Spring Screw
131335	24451	Thread (upper) Take-up complete, Nos. 1449J, 54095, 68164 and 131334
211C	24443	Thread (upper) Take-up Set Screw
147566	24453	Throat Plate for Lap Seam Felling and Automobile Upholstery work
147567	Throat Plate for Plain Sewing
742F	24453	Throat Plate Screw (2)

From the library of: Dammid Needle Corp

LIST OF PARTS COMPLETE

FOR

MACHINE No. 147-121

FOR SEWING AUTOMOBILE TRIM, AWNINGS AND SIMILAR FABRICS. TWO NEEDLES. ONE LOOPER. GAUGES 3/16" AND 1/4". THREE-THREAD CHAIN STITCH. INDEPENDENT UPPER AND UNDER FEEDS. BALL BEARING. LENGTH OF STITCH 3-1/2 TO 18 TO THE INCH. NEEDLE BAR STROKE 1-7/16". SPEED 3800, DEPENDING ON MATERIALS USED AND OPERATIONS PERFORMED.

No.	Plate	Name
*147573		Arm, upper and lower (solid) with 51422J, 68483 and four 131022.....
68428	20688	Arm Bottom Cover.....
68429	20688	Arm Bottom Cover Gasket (cork).....
1057AL	20688	Arm Bottom Cover Screw (4).....
50608R	20688	Arm Hole Plug Screw, for access to Crank Connecting Rod (upper bearing).....
139017	20688	Arm Hole Plug Screw Washer.....
68350	20679	Arm Oil Cup, for oiling Arm Rock Shaft Front Bearing.....
131864	24439	Arm Oil Cup.....
131865	24439	Arm Oil Cup Oil Gauge.....
131866	24439	Arm Oil Cup with Oil Gauge complete, for filling oil reservoir, Nos. 131864 and 131865.....
131319	20679	Arm Oil Cup Oil Pad for 68350.....
11119	20679	Arm Oil Tube with 52045, for oiling Thread (upper) Nipper.....
56003	20679	Arm Oil Tube with 52045, for oiling Feed (upper) Bell Crank Connection Sleeve.....
52045	20679	Arm Oil Tube Packing (wick) (2).....
131693	20679	Arm Rock Shaft and Front Crank with 853AL.....
131694		Arm Rock Shaft 131693 with 50328C, 131623 and two each 914J and 131695.....
1309C	20679	Arm Rock Shaft Adjusting Screw.....
131056	20679	Arm Rock Shaft Adjusting Screw Washer.....
68433	20679	Arm Rock Shaft Bushing (back).....
68435	20679	Arm Rock Shaft Bushing (back) Cap.....
131095	20679	Arm Rock Shaft Bushing (back) Cap Washer (fiber).....
446AL	20679	Arm Rock Shaft Bushing (back) Set Screw.....
68436	20679	Arm Rock Shaft Bushing (intermediate).....
423AL	20679	Arm Rock Shaft Bushing (intermediate) Set Screw.....
131486	24439	Arm Rock Shaft Crank, back (ball bearing, solid) with two 50083AL.....
50083AL	24439	Arm Rock Shaft Crank (back) Set Screw (2).....
131456	20679	Arm Rock Shaft Flanged Bushing (front).....
453AL	20679	Arm Rock Shaft Flanged Bushing (front) Set Screw.....
42365	20679	Arm Rock Shaft Oil Pad for oiling Back Bearing.....
54969	20679	Arm Rock Shaft Oil Pad for oiling Intermediate Bearing.....
147574	24439	Arm Rotary Shaft.....

NOTE: When No. 147574 is required for repairs, the Looper Driving Shaft and Feed Lifting Eccentric must be returned to the factory to be adjusted to the new part.

No.	Plate	Name
147575		Arm Rotary Shaft 147574 with 640E, 131502, 131617, 131931 and 147507.....
131366	24439	Arm Rotary Shaft Ball Bearing (back) (2).....
131478	24439	Arm Rotary Shaft Ball Bearing (back) Case.....
131479		Arm Rotary Shaft Ball Bearing (back) Case 131478 with 131369 and three 205C.....
131526		Arm Rotary Shaft Ball Bearing (back) Case with Ball Bearings complete, Nos. 131479, 131480 and two 131366.....
131369	24439	Arm Rotary Shaft Ball Bearing (back) Case Cap.....
205C	24439	Arm Rotary Shaft Ball Bearing (back) Case Cap Screw (3).....
131370	24439	Arm Rotary Shaft Ball Bearing (back) Case Position Stud (3).....
429C	24439	Arm Rotary Shaft Ball Bearing (back) Case Set Screw.....
131480	24439	Arm Rotary Shaft Ball Bearing (back) Spacing Collar.....
131366	24439	Arm Rotary Shaft Ball Bearing (intermediate).....
131481	24439	Arm Rotary Shaft Ball Bearing (intermediate) Case.....
1304C	24439	Arm Rotary Shaft Ball Bearing (intermediate) Case Set Screw.....
131482	24439	Arm Rotary Shaft Ball Bearing (intermediate) Collar with two 457AL.....
457AL	24439	Arm Rotary Shaft Ball Bearing (intermediate) Collar Set Screw (2).....
131457	24439	Arm Rotary Shaft Bushing (front).....
761E	24439	Arm Rotary Shaft Bushing (front) Set Screw.....
42367	24439	Arm Rotary Shaft Front Bearing Oil Pad (lower).....
54218	24439	Arm Rotary Shaft Front Bearing Oil Pad (upper).....
144D	24439	Arm Rotary Shaft Screw.....
131276	20688	Arm Side Cover (oil vent).....
131909	20688	Arm Side Cover Cap.....
131280	20688	Arm Side Cover Cap Position Pin.....
1289X	20688	Arm Side Cover Cap Screw.....
131910	20688	Arm Side Cover Cap Spring.....
131911	20688	Arm Side Cover (oil vent) complete, Nos. 1289X, 131276, 131280, 131909 and 131910.....
68448	20688	Arm Side Cover Gasket (cork).....
1057AL	20688	Arm Side Cover Screw (4).....
131606	24441	Cloth Plate with 54309.....
54309	24441	Cloth Plate Oil Tube with 49092.....
49092	24441	Cloth Plate Oil Tube Packing (felt).....
68368	24441	Cloth Plate Slide (left).....
131050	24441	Cloth Plate Slide (left) Spring.....
665J	24441	Cloth Plate Slide (left) Spring Screw (2).....
131051	24441	Cloth Plate Slide (left) complete, Nos. 68368, 131050 and two 665J.....
131380	24441	Cloth Plate Slide (right).....
131381	24441	Cloth Plate Slide (right) Spring.....
665J	24441	Cloth Plate Slide (right) Spring Screw (2).....
131387	24441	Cloth Plate Slide (right) complete, Nos. 131380, 131381 and two 665J.....
147592	24441	Cloth Plate complete, Nos. 131051, 131387 and 131606.....
1011F	24441	Cloth Plate Screw (left) (2).....
50396F	24441	Cloth Plate Screw (right).....
131610	24441	Cloth Plate Thread Guard.....
389F	24441	Cloth Plate Thread Guard Screw (lower).....
50473F	24441	Cloth Plate Thread Guard Screw (upper).....
131926	24439	Crank Connecting Rod with two each 1057AL, 51715AL, 131927 and 131928.....
131931		Crank Connecting Rod 131926 with 131486.....
131927	24439	Crank Connecting Rod Cap (lower) Screw Stud (2).....
51715AL	24439	Crank Connecting Rod Cap (lower) Screw Stud Nut (2).....
131928	24439	Crank Connecting Rod Cap (lower) Screw Stud Nut Lock Washer (2).....
1057AL	24439	Crank Connecting Rod Cap (upper) Screw (2).....

No.	Plate	Name
147577	24444	Face Plate with 13862
13862	24444	Face Plate Oil Tube (short) with 52045, for oiling Feed (upper) Bar Connecting Link (upper)
52045	24444	Face Plate Oil Tube Packing (wick)
142W	24444	Face Plate Screw (2)
147593	24454	Feed Dog, 14 teeth (10 teeth to the inch) for 147602, for 3/16 in. and 1/4 in. gauges
140275J	24446	Feed Dog Screw
460AL	24446	Feed Dog Stop Screw
147578	24446	Feed (lower) Bar with two 456AL
131730	24446	Feed (lower) Bar Feed Dog Seat (adjustable) with 460AL
190J	24446	Feed (lower) Bar Feed Dog Seat Screw
22436	24446	Feed (lower) Bar Feed Dog Seat Screw Washer
147579	24446	Feed (lower) Bar with Feed Dog Leveling Device complete, Nos. 190J, 22436, 68467, 131730, 147578 and two 207E
147580	24446	Feed (lower) Bar Hinge Pin
59343	24446	Feed (lower) Bar Hinge Pin Collar with 735AL (2)
735AL	24446	Feed (lower) Bar Hinge Pin Collar Set Screw (2)
456AL	24446	Feed (lower) Bar Hinge Pin Set Screw (2)
131943	24446	Feed (lower) Bar Slide Block
131944	24446	Feed (lower) Bar Slide Block 131943 with 68495 and 134260
68495	24446	Feed (lower) Bar Slide Block Oil Pad (wick)
134260	24446	Feed (lower) Bar Slide Block Oil Pad Retainer
68467	24446	Feed (lower) Bar Wearing Plate
207E	24446	Feed (lower) Bar Wearing Plate Screw (2)
131500	24439	Feed (lower) Connecting Rod with 1057AL, 68497, 134260 and two 896AL
131502	24439	Feed (lower) Connecting Rod 131500 with 54025
896AL	24439	Feed (lower) Connecting Rod Cap Screw (2)
1057AL	24439	Feed (lower) Connecting Rod Clamping Screw
147581	24446	Feed (lower) Connecting Rod Hinge Pin (eccentric)
59343	24446	Feed (lower) Connecting Rod Hinge Pin Collar with 735AL
735AL	24446	Feed (lower) Connecting Rod Hinge Pin Collar Set Screw
68497	24439	Feed (lower) Connecting Rod Oil Pad (wick)
134260	24439	Feed (lower) Connecting Rod Oil Pad Retainer
51061AL	24439	Feed (lower) Eccentric Body Set Screw (3)
7071	24439	Feed (lower) Eccentric Clamping Washer (2)
217J	24439	Feed (lower) Eccentric Clamping Washer Screw (2)
138306	24439	Feed (lower) Eccentric Lubricating Pad (wood)
54025	24439	Feed (lower) Eccentric (adjustable) complete, Nos. 1103C, 138306, two each 217J, 7071 and three 51061AL
1103C	24439	Feed (lower) Regulating Screw
147582	24446	Feed (lower) Rocking Frame with two 453AL
147583	24446	Feed (lower) Rocking Frame 147582 with 147579, 147580, 147581 and three 59343
57234	24446	Feed (lower) Rocking Frame Hinge Pin
57235	24446	Feed (lower) Rocking Frame Hinge Pin Bushing (2)
453AL	24446	Feed (lower) Rocking Frame Hinge Pin Bushing Set Screw (2)
453AL	24446	Feed (lower) Rocking Frame Hinge Pin Set Screw (2)
147584	24444	Feed (upper) Bar
147585	24444	Feed (upper) Bar 147584 with 199D, 52595, 54143, 131647, 131690 and three 1423W
54143	24444	Feed (upper) Bar Connecting Link (lower)
1423W	24444	Feed (upper) Bar Connecting Link (lower) Cap Screw (2)
131647	24444	Feed (upper) Bar Connecting Link (upper)
199D	24444	Feed (upper) Bar Connecting Link (upper) Cap Screw (large)
1423W	24444	Feed (upper) Bar Connecting Link (upper) Cap Screw (small)
131648	24444	Feed (upper) Bar Connecting Link (upper) Cushion (textolite)
131649	24444	Feed (upper) Bar Lifting Bracket with 1250AL

No.	Plate	Name
1250AL	24444	Feed (upper) Bar Lifting Bracket Position Screw
192274	24444	Feed (upper) Bar Spring
140173C	24444	Feed (upper) Bar Spring Cap Screw
131650	24444	Feed (upper) Bar Spring Thimble
131651	24444	Feed (upper) Bell Crank
131690	24444	Feed (upper) Bell Crank 131651 with 131648, 131650, 140173C and 192274
131621	24444	Feed (upper) Bell Crank Connection with 140268AL
140268AL	24444	Feed (upper) Bell Crank Connection Clamping Screw
131622	24444	Feed (upper) Bell Crank Connection Sleeve
131623	20679	Feed (upper) Bell Crank Connection Sleeve Slide Block
131695	20679	Feed (upper) Bell Crank Connection Sleeve Slide Block Clamping Washer (2)
914J	20679	Feed (upper) Bell Crank Connection Sleeve Slide Block Clamping Washer Screw (2)
50328C	20679	Feed (upper) Bell Crank Connection Sleeve Slide Block Regulating Screw
131500	24439	Feed (upper) Connecting Rod with 1057AL, 68497, 134260 and two 896AL
131617	24439	Feed (upper) Connecting Rod 131500 with 54456
896AL	24439	Feed (upper) Connecting Rod Cap Screw (2)
1057AL	24439	Feed (upper) Connecting Rod Clamping Screw
131618	24446	Feed (upper) Connecting Rod Crank with two 140123AL
140123AL	24446	Feed (upper) Connecting Rod Crank Set Screw (2)
131619	24446	Feed (upper) Connecting Rod Hinge Stud
68497	24439	Feed (upper) Connecting Rod Oil Pad (wick)
134260	24439	Feed (upper) Connecting Rod Oil Pad Retainer
51061AL	24439	Feed (upper) Eccentric Body Set Screw (3)
7071	24439	Feed (upper) Eccentric Clamping Washer (2)
217J	24439	Feed (upper) Eccentric Clamping Washer Screw (2)
138306	24439	Feed (upper) Eccentric Lubricating Pad (wood)
54456	24439	Feed (upper) Eccentric (adjustable) complete, Nos. 1103C, 138306, two each 217J, 7071 and three 51061AL
1103C	24439	Feed (upper) Regulating Screw
54155	24446	Feed (upper) Rock Shaft
54369	24446	Feed (upper) Rock Shaft Collar with two 465AL
465AL	24446	Feed (upper) Rock Shaft Collar Set Screw (2)
54156	24446	Feed (upper) Rock Shaft Crank (back) with two 50200C
50200C	24446	Feed (upper) Rock Shaft Crank (back) Set Screw (2)
52595	24444	Feed (upper) Rock Shaft Crank (front) with 1057AL
1057AL	24444	Feed (upper) Rock Shaft Crank (front) Clamping Screw
131624	24446	Feed (upper) Rock Shaft Pitman
131625	24446	Feed (upper) Rock Shaft Pitman Crank with two 50200C
50200C	24446	Feed (upper) Rock Shaft Pitman Crank Set Screw (2)
131626	24446	Feed (upper) Rock Shaft Pitman Crank Shaft
131627	24446	Feed (upper) Rock Shaft Pitman Crank Shaft Bracket
129E	24446	Feed (upper) Rock Shaft Pitman Crank Shaft Bracket Screw (2)
41F	24446	Feed (upper) Rock Shaft Pitman Hinge Screw (2)
1520J	24446	Feed (upper) Rock Shaft Pitman Hinge Screw Nut (2)
147594	24454	Feeding Foot Plate
147595	24454	Feeding Foot Shank
51307C	24454	Feeding Foot Shank Hinge Screw (2)
8282	24454	Feeding Foot Spring
147596	24454	Feeding Foot (hinged) complete, Nos. 8282, 147594, 147595 and two 51307C, for 3/16 in. and 1/4 in. gauges
203J	24444	Feeding Foot Screw
131878	24454	Looper with 590J and 38393
131879	24454	Looper 131878 with 229E and 131853
54027	24447	Looper Carrier with two 175E
175E	24447	Looper Carrier Adjusting Screw (2)
54227	24447	Looper Carrier Connection
54228	24447	Looper Carrier Connection Shaft

No.	Plate	Name
128419	24447	Looper Carrier Connection Shaft Oil Pad (braided cotton)
68478	24447	Looper Carrier Connection Shaft Sleeve (eccentric)
51263D	24447	Looper Carrier Connection Shaft Sleeve Cap Screw
131882	24447	Looper Carrier Connection Shaft Sleeve Collar with 50597C and two 443AL
50597C	24447	Looper Carrier Connection Shaft Sleeve Collar Position Screw Stud
443AL	24447	Looper Carrier Connection Shaft Sleeve Set Screw (2)
68479	24447	Looper Carrier Driver with four 175E
175E	24447	Looper Carrier Driver Cap Screw (4)
147506	24447	Looper Driving Shaft and Feed Lifting Eccentric
147507		Looper Driving Shaft and Feed Lifting Eccentric 147506 with 54027, 54227, 54228 and 68479
68483		Looper Driving Shaft and Feed Lifting Eccentric Bracket with 761E
51422J	24439	Looper Driving Shaft and Feed Lifting Eccentric Bracket Screw
131959	24447	Looper Driving Shaft and Feed Lifting Eccentric Bushing
131028	24447	Looper Driving Shaft and Feed Lifting Eccentric Bushing Oil Screw Plug
761E	24439	Looper Driving Shaft and Feed Lifting Eccentric Bushing Position Screw
68497		Looper Driving Shaft and Feed Lifting Eccentric Front Bearing Oil Pad (wick)
640E	24439	Looper Driving Shaft and Feed Lifting Eccentric Screw
54035	24447	Looper Holder with 1120AL
51119J	24447	Looper Holder Screw
131853	24454	Looper Needle Guard with 46105
46105	24454	Looper Needle Guard Pin
229E	24454	Looper Needle Guard Screw
1120AL	24447	Looper Set Screw
38393	24454	Looper Thread Guard
590J	24454	Looper Thread Guard Screw
131914	24439	Machine Driving Pulley (outside diam. of belt groove 2.9 in.) with two 51283AL, for "V" Belt
51283AL	24439	Machine Driving Pulley Set Screw (2)
64319	24444	Needle Bar (hollow)
131884	24454	Needle Bar complete, for 3/16 in. and 1/4 in. gauges, Nos. 64319 and 131886
168210	24444	Needle Bar Bushing (lower)
1133E	24444	Needle Bar Bushing (lower) Set Screw
68187	24444	Needle Bar Bushing (upper)
1133E	24444	Needle Bar Bushing (upper) Set Screw
68488	24444	Needle Bar Connecting Link and Thread (upper) Controller
131399		Needle Bar Connecting Link and Thread (upper) Controller 68488 with 68489 and 131400
68489	24444	Needle Bar Connecting Link Hinge Stud (hollow)
1520J	24444	Needle Bar Connecting Link Hinge Stud Nut
131270	24444	Needle Bar Connecting Link Hinge Stud Oil Pad (wick)
861C	24444	Needle Bar Connecting Link Hinge Stud Oil Plug Screw
853AL	20679	Needle Bar Connecting Link Hinge Stud Set Screw
131400	24444	Needle Bar Connecting Stud with 211C and 1492E
1492E	24444	Needle Bar Connecting Stud Clamping Screw
131886	24444	Needle Clamp with two 50379F for 3/16 in. and 1/4 in. gauges
147597	24454	Needle Guard (movable) for 3/16 in. and 1/4 in. gauges
68123	24446	Needle Guard (movable) Clamp
50379F	24444	Needle Set Screw (2)
147587	24449	Oil Pipe (back of arm) with 1733, 68494 and two 68497, for oiling Feed (lower) Rocking Frame Hinge Pin Front Bearing
147562	24449	Oil Pipe (back of arm) Clamp
147563	24449	Oil Pipe (back of arm) Clamping Plate

No.	Plate	Name
147564	24449	Oil Pipe (back of arm) Clamping Plate Bracket
443AL	24449	Oil Pipe (back of arm) Clamping Plate Bracket Screw
1520J	24449	Oil Pipe (back of arm) Clamping Plate Bracket Screw Lock Nut
176E	24449	Oil Pipe (back of arm) Clamping Plate Screw
68494	24449	Oil Pipe (back of arm) Connection with 68495 and two 198E, for oiling Feed (upper) Connecting Rod Hinge Stud
198E	24449	Oil Pipe (back of arm) Connection Cap Screw (2)
68495	24449	Oil Pipe (back of arm) Connection Oil Pad (wick)
68496	24449	Oil Pipe (back of arm) Coupling
1733	24449	Oil Pipe (back of arm) Coupling Nut (brass)
68497	24449	Oil Pipe (back of arm) Oil Pad (wick) (2)
131637	24449	Oil Pipe (front of arm) with 131089 and two 1733, for oiling Looper Driving Shaft and Feed Lifting Eccentric Front Bearing
131112	24449	Oil Pipe (front of arm) with 68497 and 131003, for oiling Feed (lower) Bar Slide Block
68500	24449	Oil Pipe (front of arm) with 1733, 131084 and 131089, for oiling Arm Rotary Shaft Front Bearing
131113	24449	Oil Pipe (front of arm) with 68497 and 131003, for oiling Feed Connecting Rod (2)
131638		Oil Pipe (front of arm) complete, Nos. 68500, 131112, 131637 and two 131113
131002	24449	Oil Pipe (front of arm) Connection with two 198E, for oiling Looper Carrier Connection Shaft
131003	24449	Oil Pipe (front of arm) Connection with two 198E, for 131112 and 131113 (3)
131084	24449	Oil Pipe (front of arm) Connection with two 198E, for 68500
198E	24449	Oil Pipe (front of arm) Connection Cap Screw (10)
131004	24449	Oil Pipe (front of arm) Coupling (center)
131004	24449	Oil Pipe (front of arm) Coupling (left)
131087	24449	Oil Pipe (front of arm) Coupling (right)
1733	24449	Oil Pipe (front of arm) Coupling Nut (brass) (3)
131089	24449	Oil Pipe (front of arm) Oil Pad (wick) for 68500 and 131637 (2)
68497	24449	Oil Pipe (front of arm) Oil Pad (wick) for 131112 and 131113 (3)
57255	24444	Presser Bar
131629	24444	Presser Bar Bushing (lower)
1133E	24444	Presser Bar Bushing (lower) Set Screw
38456	24444	Presser Bar Bushing (upper)
1133E	24444	Presser Bar Bushing (upper) Set Screw
131630	24444	Presser Bar Lifting Bracket with 453AL
131631	24444	Presser Bar Lifting Bracket Guide
453AL	24444	Presser Bar Lifting Bracket Guide Set Screw
453AL	24444	Presser Bar Lifting Bracket Set Screw
131632	20748	Presser Bar Lifting Lever
68184	20748	Presser Bar Lifting Lever Extension
161J	20748	Presser Bar Lifting Lever Extension Screw (2)
802D	20748	Presser Bar Lifting Lever Hinge Screw
131749	20688	Presser Bar Spring
131750	20688	Presser Bar Spring (auxiliary)
131751	20688	Presser Bar Spring Screw Stud
1637J	20688	Presser Bar Spring Screw Stud Lock Nut
38468	20688	Presser Bar Spring Stud
131830	20688	Presser Bar Spring complete, Nos. 1637J, 51697W, 131749, 131750, 131751 and 131752
131851	20688	Presser Bar Spring (less auxiliary spring) complete, Nos. 1637J, 42290K, 51697W, 131749 and 131751
147598		Presser Foot Hinge Connection
26276	24454	Presser Foot Hinge Pin

From the Internet: Diamond Needle Co.

**LIST OF PARTS COMPLETE
FOR
MACHINE No. 147-122**

FOR SEWING AUTOMOBILE TRIM, AWNINGS AND SIMILAR FABRICS. TWO NEEDLES. TWO LOOPERS. GAUGES 3/16", 1/4", AND 5/16". INDEPENDENT UPPER AND UNDER FEEDS. BALL BEARING. LENGTH OF STITCH 3-1/2 TO 18 TO THE INCH. NEEDLE BAR STROKE 1-7/16". SPEED 3800, DEPENDING ON MATERIALS USED AND OPERATIONS PERFORMED.

No.	Plate	Name
*147573		Arm, upper and lower (solid) with 51422J, 68483 and four 131022
68428	20688	Arm Bottom Cover
68429	20688	Arm Bottom Cover Gasket (cork)
1057AL	20688	Arm Bottom Cover Screw (4)
50608R	20688	Arm Hole Plug Screw, for access to Crank Connecting Rod (upper bearing)
139017	20688	Arm Hole Plug Screw Washer
68350	20679	Arm Oil Cup, for oiling Arm Rock Shaft Front Bearing
131864	24439	Arm Oil Cup, for 131866
131865	24439	Arm Oil Cup Oil Gauge
131866	24439	Arm Oil Cup with Oil Gauge complete for filling oil reservoir Nos. 131864 and 131865
131319	20679	Arm Oil Cup Oil Pad for 68350
11119	20679	Arm Oil Tube with 52045, for oiling Thread (upper) Nipper
56003	20679	Arm Oil Tube with 52045, for oiling Feed (upper) Bell Crank Connection Sleeve
52045	20679	Arm Oil Tube Packing (wick) (2)
131693	20679	Arm Rock Shaft and Front Crank with 853AL
131694		Arm Rock Shaft 131693 with 50328C, 131623 and two each 914J and 131695
1309C	20679	Arm Rock Shaft Adjusting Screw
131056	20679	Arm Rock Shaft Adjusting Screw Washer
68433	20679	Arm Rock Shaft Bushing (back)
68435	20679	Arm Rock Shaft Bushing (back) Cap
131095	20679	Arm Rock Shaft Bushing (back) Cap Washer (fiber)
446AL	20679	Arm Rock Shaft Bushing (back) Set Screw
68436	20679	Arm Rock Shaft Bushing (intermediate)
423AL	20679	Arm Rock Shaft Bushing (intermediate) Set Screw
131496	24439	Arm Rock Shaft Crank (back) ball bearing solid with two 50083AL
50083AL	24439	Arm Rock Shaft Crank (back) Set Screw (2)
131456	20679	Arm Rock Shaft Flanged Bushing (front)
453AL	20679	Arm Rock Shaft Flanged Bushing (front) Set Screw
42365	20679	Arm Rock Shaft Oil Pad for oiling Back Bearing
54969	20679	Arm Rock Shaft Oil Pad for oiling Intermediate Bearing
147574	24439	Arm Rotary Shaft
NOTE: When No. 147574 is required for repairs, the Looper Driving Shaft and Feed Lifting Eccentric must be returned to the factory to be adjusted to the new part.		
147575		Arm Rotary Shaft 147574 with 640E, 131502, 131617, 131931 and 147507
131366	24439	Arm Rotary Shaft Ball Bearing (back) (2)
131478	24439	Arm Rotary Shaft Ball Bearing (back) Case

No.	Plate	Name
131479		Arm Rotary Shaft Ball Bearing (back) Case 131478 with 131369 and three 205C
131526		Arm Rotary Shaft Ball Bearing (back) Case with Ball Bearings complete, Nos. 131479, 131480 and two 131366
131369	24439	Arm Rotary Shaft Ball Bearing (back) Case Cap
205C	24439	Arm Rotary Shaft Ball Bearing (back) Case Cap Screw (3)
131370	24439	Arm Rotary Shaft Ball Bearing (back) Case Position Stud (3)
429C	24439	Arm Rotary Shaft Ball Bearing (back) Case Set Screw
131480	24439	Arm Rotary Shaft Ball Bearing (back) Spacing Collar
131366	24439	Arm Rotary Shaft Ball Bearing (intermediate)
131481	24439	Arm Rotary Shaft Ball Bearing (intermediate) Case
1304C	24439	Arm Rotary Shaft Ball Bearing (intermediate) Case Set Screw
131482	24439	Arm Rotary Shaft Ball Bearing (intermediate) Collar with two 457AL
457AL	24439	Arm Rotary Shaft Ball Bearing (intermediate) Collar Set Screw (2)
131457	24439	Arm Rotary Shaft Bushing (front)
761E	24439	Arm Rotary Shaft Bushing (front) Set Screw
42367	24439	Arm Rotary Shaft Front Bearing Oil Pad (lower)
54218	24439	Arm Rotary Shaft Front Bearing Oil Pad (upper)
144D	24439	Arm Rotary Shaft Screw
131276	20688	Arm Side Cover (oil vent)
131909	20688	Arm Side Cover Cap
131280	20688	Arm Side Cover Cap Position Pin
1289X	20688	Arm Side Cover Cap Screw
131910	20688	Arm Side Cover Cap Spring
131911	20688	Arm Side Cover (oil vent) complete, Nos. 1289X, 131276, 131280, 131909 and 131910
68448	20688	Arm Side Cover Gasket (cork)
1057AL	20688	Arm Side Cover Screw (4)
131606	24441	Cloth Plate with 54309
54309	24441	Cloth Plate Oil Tube with 49092
49092	24441	Cloth Plate Oil Tube Packing (felt)
68368	24441	Cloth Plate Slide (left)
131050	24441	Cloth Plate Slide (left) Spring
665J	24441	Cloth Plate Slide (left) Spring Screw (2)
131051	24441	Cloth Plate Slide (left) complete, Nos. 68368, 131050 and two 665J
131380	24441	Cloth Plate Slide (right)
131381	24441	Cloth Plate Slide (right) Spring
665J	24441	Cloth Plate Slide (right) Spring Screw (2)
131387	24441	Cloth Plate Slide (right) complete, Nos. 131380, 131381 and two 665J
147592	24441	Cloth Plate complete, Nos. 131051, 131387 and 131606
1011F	24441	Cloth Plate Screw (left) (2)
50396F	24441	Cloth Plate Screw (right)
131610	24441	Cloth Plate Thread Guard
389F	24441	Cloth Plate Thread Guard Screw (lower)
50473F	24441	Cloth Plate Thread Guard Screw (upper)
131926	24439	Crank Connecting Rod with two each 1057AL, 51715AL, 131927 and 131928
131931		Crank Connecting Rod 131926 with 131486
131927	24439	Crank Connecting Rod Cap (lower) Screw Stud (2)
51715AL	24439	Crank Connecting Rod Cap (lower) Screw Stud Nut (2)
131928	24439	Crank Connecting Rod Cap (lower) Screw Stud Nut Lock Washer (2)
1057AL	24439	Crank Connecting Rod Cap (upper) Screw (2)
147577	24445	Face Plate with 13862
13862	24445	Face Plate Oil Tube (short) with 52045, for oiling Feed (upper) Bar Connecting Link (upper)
52045	24445	Face Plate Oil Tube Packing (wick)

No.	Plate	Name
142W	24445	Face Plate Screw (2)
147603	24455	Feed Dog, 15 teeth (10 teeth to the inch) for 3/16 in., 1/4 in. and 5/16 in. gauges
140275J	24446	Feed Dog Screw
460AL	24446	Feed Dog Stop Screw
147578	24446	Feed (lower) Bar with two 456AL
131730	24446	Feed (lower) Bar Feed Dog Seat (adjustable) with 460AL
190J	24446	Feed (lower) Bar Feed Dog Seat Screw
22436	24446	Feed (lower) Bar Feed Dog Seat Screw Washer
147579		Feed (lower) Bar with Feed Dog Leveling Device complete, Nos. 190J, 22436, 68467, 131730, 147578 and two 207E
147580	24446	Feed (lower) Bar Hinge Pin
59343	24446	Feed (lower) Bar Hinge Pin Collar with 735AL (2)
735AL	24446	Feed (lower) Bar Hinge Pin Collar Set Screw (2)
456AL	24446	Feed (lower) Bar Hinge Pin Set Screw (2)
131943	24446	Feed (lower) Bar Slide Block
131944	24446	Feed (lower) Bar Slide Block 131943 with 68495 and 134260
68495	24446	Feed (lower) Bar Slide Block Oil Pad (wick)
134260	24446	Feed (lower) Bar Slide Block Oil Pad Retainer
68467	24446	Feed (lower) Bar Wearing Plate
207E	24446	Feed (lower) Bar Wearing Plate Screw (2)
131500	24439	Feed (lower) Connecting Rod with 1057AL, 68497, 134260 and two 896AL
131502		Feed (lower) Connecting Rod 131500 with 54025
896AL	24439	Feed (lower) Connecting Rod Cap Screw (2)
1057AL	24439	Feed (lower) Connecting Rod Clamping Screw
147581	24446	Feed (lower) Connecting Rod Hinge Pin (eccentric)
59343	24446	Feed (lower) Connecting Rod Hinge Pin Collar with 735AL
735AL	24446	Feed (lower) Connecting Rod Hinge Pin Collar Set Screw
68497	24439	Feed (lower) Connecting Rod Oil Pad (wick)
134260	24439	Feed (lower) Connecting Rod Oil Pad Retainer
51061AL	24439	Feed (lower) Eccentric Body Set Screw (3)
7071	24439	Feed (lower) Eccentric Clamping Washer (2)
217J	24439	Feed (lower) Eccentric Clamping Washer Screw (2)
138306		Feed (lower) Eccentric Lubricating Pad (wood)
54025	24439	Feed (lower) Eccentric (adjustable) complete, Nos. 1103C, 138306, two each 217J, 7071 and three 51061AL
1103C	24439	Feed (lower) Regulating Screw
147582	24446	Feed (lower) Rocking Frame with two 453AL
147583		Feed (lower) Rocking Frame 147582 with 147579, 147580, 147581 and three 59343
57234	24446	Feed (lower) Rocking Frame Hinge Pin
57235	24446	Feed (lower) Rocking Frame Hinge Pin Bushing (2)
453AL	24446	Feed (lower) Rocking Frame Hinge Pin Bushing Set Screw (2)
453AL	24446	Feed (lower) Rocking Frame Hinge Pin Set Screw (2)
147584	24445	Feed (upper) Bar
147585		Feed (upper) Bar 147584 with 199D, 52595, 54143, 131647, 131690 and three 1423W
54143	24445	Feed (upper) Bar Connecting Link (lower)
1423W	24445	Feed (upper) Bar Connecting Link (lower) Cap Screw (2)
131647	24445	Feed (upper) Bar Connecting Link (upper)
199D	24445	Feed (upper) Bar Connecting Link (upper) Cap Screw (large)
1423W	24445	Feed (upper) Bar Connecting Link (upper) Cap Screw (small)
131648	24445	Feed (upper) Bar Connecting Link (upper) Cushion (textolite)
131649	24445	Feed (upper) Bar Lifting Bracket with 1250AL
1250AL	24445	Feed (upper) Bar Lifting Bracket Position Screw
192274	24445	Feed (upper) Bar Spring
140173C	24445	Feed (upper) Bar Spring Cap Screw

No.	Plate	Name
131650	24445	Feed (upper) Bar Spring Thimble
131651	24445	Feed (upper) Bell Crank
131690		Feed (upper) Bell Crank 131651 with 131648, 131650, 140173C and 192274
131621	24445	Feed (upper) Bell Crank Connection with 140268AL
140268AL	24445	Feed (upper) Bell Crank Connection Clamping Screw
131622	24445	Feed (upper) Bell Crank Connection Sleeve
131623	20679	Feed (upper) Bell Crank Connection Sleeve Slide Block
131695	20679	Feed (upper) Bell Crank Connection Sleeve Slide Block Clamping Washer (2)
914J	20679	Feed (upper) Bell Crank Connection Sleeve Slide Block Clamping Washer Screw (2)
50328C	20679	Feed (upper) Bell Crank Connection Sleeve Slide Block Regulating Screw
131500	24439	Feed (upper) Connecting Rod with 1057AL, 68497, 134260 and two 896AL
131617		Feed (upper) Connecting Rod 131500 with 54456
896AL	24439	Feed (upper) Connecting Rod Cap Screw (2)
1057AL	24439	Feed (upper) Connecting Rod Clamping Screw
131618	24446	Feed (upper) Connecting Rod Crank with two 140123AL
140123AL	24446	Feed (upper) Connecting Rod Crank Set Screw (2)
131619	24446	Feed (upper) Connecting Rod Hinge Stud
68497	24439	Feed (upper) Connecting Rod Oil Pad (wick)
134260	24439	Feed (upper) Connecting Rod Oil Pad Retainer
51061AL	24439	Feed (upper) Eccentric Body Set Screw (3)
7071	24439	Feed (upper) Eccentric Clamping Washer (2)
217J	24439	Feed (upper) Eccentric Clamping Washer Screw (2)
138306		Feed (upper) Eccentric Lubricating Pad (wood)
54456	24439	Feed (upper) Eccentric (adjustable) complete, Nos. 1103C, 138306, two each 217J, 7071 and three 51061AL
1103C	24439	Feed (upper) Regulating Screw
54155	24446	Feed (upper) Rock Shaft
54369	24446	Feed (upper) Rock Shaft Collar with two 465AL
465AL	24446	Feed (upper) Rock Shaft Collar Set Screw (2)
54156	24446	Feed (upper) Rock Shaft Crank (back) with two 50200C
50200C	24446	Feed (upper) Rock Shaft Crank (back) Set Screw (2)
52595	24445	Feed (upper) Rock Shaft Crank (front) with 1057AL
1057AL	24445	Feed (upper) Rock Shaft Crank (front) Clamping Screw
131624	24446	Feed (upper) Rock Shaft Pitman
131625	24446	Feed (upper) Rock Shaft Pitman Crank with two 50200C
50200C	24446	Feed (upper) Rock Shaft Pitman Crank Set Screw (2)
131626	24446	Feed (upper) Rock Shaft Pitman Crank Shaft
131627	24446	Feed (upper) Rock Shaft Pitman Crank Shaft Bracket
129E	24446	Feed (upper) Rock Shaft Pitman Crank Shaft Bracket Screw (2)
41F	24446	Feed (upper) Rock Shaft Pitman Hinge Screw (2)
1520J	24446	Feed (upper) Rock Shaft Pitman Hinge Screw Nut (2)
147604	24455	Feeding Foot Plate
51307C	24455	Feeding Foot Plate Hinge Screw (2)
131469	24455	Feeding Foot Shank
8282	24455	Feeding Foot Spring
147605	24455	Feeding Foot (hinged) complete, for 3/16 in., 1/4 in., 5/16 in. and 3/8 in. gauges, Nos. 8282, 131469, 147604 and two 51307C
203J	24445	Feeding Foot Screw
131425	24455	Looper (back)
		NOTE: When ordering No. 131425 state gauge of machine for which required.
452AL	24448	Looper (back) Set Screw
131426	24455	Looper (front)
		NOTE: When ordering No. 131426 state gauge of machine for which required.
1120AL	24448	Looper (front) Set Screw

No.	Plate	Name
54027	24448	Looper Carrier with two 175E
175E	24448	Looper Carrier Adjusting Screw (2)
54227	24448	Looper Carrier Connection
54228	24448	Looper Carrier Connection Shaft
128419	24448	Looper Carrier Connection Shaft Oil Pad (braided cotton)
68478	24448	Looper Carrier Connection Shaft Sleeve (eccentric)
51263D	24448	Looper Carrier Connection Shaft Sleeve Cap Screw
131882	24448	Looper Carrier Connection Shaft Sleeve Collar with 50597C and two 443AL
50597C	24448	Looper Carrier Connection Shaft Sleeve Collar Position Screw Stud
443AL	24448	Looper Carrier Connection Shaft Sleeve Set Screw (2)
68479	24448	Looper Carrier Driver with four 175E
175E	24448	Looper Carrier Driver Cap Screw (4)
147506	24448	Looper Driving Shaft and Feed Lifting Eccentric
147507	24448	Looper Driving Shaft and Feed Lifting Eccentric 147506 with 54027, 54227, 54228 and 68479
68483	24448	Looper Driving Shaft and Feed Lifting Eccentric Bracket with 761E
51422J	24439	Looper Driving Shaft and Feed Lifting Eccentric Bracket Screw
131959	24448	Looper Driving Shaft and Feed Lifting Eccentric Bushing
131028	24448	Looper Driving Shaft and Feed Lifting Eccentric Bushing Oil Screw Plug
761E	24439	Looper Driving Shaft and Feed Lifting Eccentric Bushing Position Screw
68497	24448	Looper Driving Shaft and Feed Lifting Eccentric Front Bearing Oil Pad (wick)
640E	24439	Looper Driving Shaft and Feed Lifting Eccentric Screw
131579	24448	Looper Holder Body
131580	24448	Looper Holder Body 131579 with 452AL and 1120AL
51119J	24448	Looper Holder Screw
131914	24439	Machine Driving Pulley (outside diam. of belt groove 2.9 in.) with two 51283AL, for "V" Belt
51283AL	24439	Machine Driving Pulley Set Screw (2)
64319	24445	Needle Bar (hollow)
131045	24455	Needle Bar complete for 3/16 in. to 3/8 in. gauges, Nos. 64319 and 131044
168210	24445	Needle Bar Bushing (lower)
1133E	24445	Needle Bar Bushing (lower) Set Screw
68187	24445	Needle Bar Bushing (upper)
1133E	24445	Needle Bar Bushing (upper) Set Screw
68488	24445	Needle Bar Connecting Link and Thread (upper) Controller
131399	24445	Needle Bar Connecting Link and Thread (upper) Controller 68488 with 68489 and 131400
68489	24445	Needle Bar Connecting Link Hinge Stud (hollow)
1520J	24445	Needle Bar Connecting Link Hinge Stud Nut
131270	24445	Needle Bar Connecting Link Hinge Stud Oil Pad (wick)
861C	24445	Needle Bar Connecting Link Hinge Stud Oil Plug Screw
853AL	20679	Needle Bar Connecting Link Hinge Stud Set Screw
131400	24445	Needle Bar Connecting Stud with 211C and 1492E
1492E	24445	Needle Bar Connecting Stud Clamping Screw
131044	24445	Needle Clamp with two 1498F for 3/16 in. to 3/8 in. gauges
131174	24455	Needle Guard (movable) for 3/16 in. to 3/8 in. gauges
68123	24446	Needle Guard (movable) Clamp
1498F	24445	Needle Set Screw (2)
147587	24449	Oil Pipe (back of arm) with 1733, 68494, and two 68497 for oiling Feed (lower) Rocking Frame Hinge Pin Front Bearing
147562	24449	Oil Pipe (back of arm) Clamp
147563	24449	Oil Pipe (back of arm) Clamping Plate
147564	24449	Oil Pipe (back of arm) Clamping Plate Bracket

No.	Plate	Name
443AL	24449	Oil Pipe (back of arm) Clamping Plate Bracket Screw
1520J	24449	Oil Pipe (back of arm) Clamping Plate Bracket Screw Lock Nut
176E	24449	Oil Pipe (back of arm) Clamping Plate Screw
68494	24449	Oil Pipe (back of arm) Connection with 68495 and two 198E, for oiling Feed (upper) Connecting Rod Hinge Stud
198E	24449	Oil Pipe (back of arm) Connection Cap Screw (2)
68495	24449	Oil Pipe (back of arm) Connection Oil Pad (wick)
68496	24449	Oil Pipe (back of arm) Coupling
1733	24449	Oil Pipe (back of arm) Coupling Nut (brass)
68497	24449	Oil Pipe (back of arm) Oil Pad (wick) (2)
131637	24449	Oil Pipe (front of arm) with 131089 and two 1733 for oiling Looper Driving Shaft and Feed Lifting Eccentric Front Bearing
131112	24449	Oil Pipe (front of arm) with 68497 and 131003, for oiling Feed (lower) Bar Slide Block
68500	24449	Oil Pipe (front of arm) with 1733, 131084 and 131089, for oiling Arm Rotary Shaft Front Bearing
131113	24449	Oil Pipe (front of arm) with 68497 and 131003, for oiling Feed Connecting Rod (2)
131638	24449	Oil Pipe (front of arm) complete, Nos. 68500, 131112, 131637 and two 131113
131002	24449	Oil Pipe (front of arm) Connection with two 198E, for oiling Looper Carrier Connection Shaft
131003	24449	Oil Pipe (front of arm) Connection with two 198E, for 131112 and 131113 (3)
131084	24449	Oil Pipe (front of arm) Connection with two 198E, for 68500
198E	24449	Oil Pipe (front of arm) Connection Cap Screw (10)
131004	24449	Oil Pipe (front of arm) Coupling (center)
131004	24449	Oil Pipe (front of arm) Coupling (left)
131087	24449	Oil Pipe (front of arm) Coupling (right)
1733	24449	Oil Pipe (front of arm) Coupling Nut (brass) (3)
131089	24449	Oil Pipe (front of arm) Oil Pad (wick) for 68500 and 131637 (2)
68497	24449	Oil Pipe (front of arm) Oil Pad (wick) for 131112 and 131113 (3)
57255	24445	Presser Bar (hollow)
131629	24445	Presser Bar Bushing (lower)
1133E	24445	Presser Bar Bushing (lower) Set Screw
38456	24445	Presser Bar Bushing (upper)
1133E	24445	Presser Bar Bushing (upper) Set Screw
131630	24445	Presser Bar Lifting Bracket with 453AL
131631	24445	Presser Bar Lifting Bracket Guide
453AL	24445	Presser Bar Lifting Bracket Guide Set Screw
453AL	24445	Presser Bar Lifting Bracket Set Screw
131632	20748	Presser Bar Lifting Lever
68184	20748	Presser Bar Lifting Lever Extension
161J	20748	Presser Bar Lifting Lever Extension Screw (2)
802D	20748	Presser Bar Lifting Lever Hinge Screw
131749	20688	Presser Bar Spring
131750	20688	Presser Bar Spring (auxiliary)
131751	20688	Presser Bar Spring Screw Stud
1637J	20688	Presser Bar Spring Screw Stud Lock Nut
38468	20688	Presser Bar Spring Stud
131830	20688	Presser Bar Spring complete, Nos. 1637J, 51697W, 131749, 131750, 131751 and 131752
131851	20688	Presser Bar Spring (less auxiliary spring) complete, Nos. 1637J, 42290K, 51697W, 131749 and 131751
147606	24455	Presser Foot for 3/16 in. to 3/8 in. gauges
190J	24445	Presser Foot Screw
51697W	20688	Pressure Regulating Thumb Nut

No.	Plate	Name
131752	20688	Pressure Regulating Thumb Nut Washer.....
42290K	20688	Pressure Regulating Thumb Nut Washer.....
131888	24450	Slack Thread Controller.....
54242	24450	Slack Thread Controller Clamp.....
190J	24450	Slack Thread Controller Clamp Screw.....
131403	24450	Slack Thread Regulator.....
131404	24450	Slack Thread Regulator Holder.....
131405	24450	Slack Thread Regulator Holder Crank with 171AL.....
1423J	24450	Slack Thread Regulator Holder Crank Cap Screw.....
171AL	24450	Slack Thread Regulator Holder Crank Clamping Screw.....
131406	24450	Slack Thread Regulator Holder Crank Connecting Link.....
217J	24450	Slack Thread Regulator Screw.....
131012	20748	Tension (under thread) Bracket.....
691AL	20748	Tension (under thread) Bracket Screw (2).....
2102	20748	Tension (under thread) Disc (4).....
51570C	20748	Tension (under thread) Regulating Thumb Nut (2).....
50326C	20748	Tension (under thread) Screw Stud (2).....
59539	Tension (under thread) Screw Stud 50326C with 51570C (2).....
131740	20748	Tension (under thread) Spring (2).....
59537	20748	Tension (under thread) Spring Bushing (large) (2).....
59538	20748	Tension (under thread) Spring Bushing (small) (2).....
131696	20748	Tension (under thread) Thread Guide (2).....
54070	20748	Tension (upper thread) Bracket.....
376J	20748	Tension (upper thread) Bracket Screw.....
2102	20748	Tension (upper thread) Disc (4).....
51570C	20748	Tension (upper thread) Regulating Thumb Nut (2).....
32572	20748	Tension (upper thread) Releasing Disc (2).....
54988	20748	Tension (upper thread) Releasing Pin (2).....
54071	20748	Tension (upper thread) Releasing Shaft.....
54047	20748	Tension (upper thread) Releasing Shaft Crank with 624AL.....
54048	20748	Tension (upper thread) Releasing Shaft Crank Link.....
624AL	20748	Tension (upper thread) Releasing Shaft Crank Set Screw.....
68261	20748	Tension (upper thread) Releasing Shaft Spring.....
131011	20748	Tension (upper thread) Releasing Shaft Spring Position Plate.....
316C	20748	Tension (upper thread) Releasing Shaft Stop Screw.....
1547J	20748	Tension (upper thread) Releasing Shaft Stop Screw Nut.....
50326C	20748	Tension (upper thread) Screw Stud (2).....
59539	Tension (upper thread) Screw Stud 50326C with 51570C (2).....
131741	20748	Tension (upper thread) Spring (2).....
59537	20748	Tension (upper thread) Spring Bushing (large) (2).....
59538	20748	Tension (upper thread) Spring Bushing (small) (2).....
131696	20748	Tension (upper thread) Thread Guide (2).....
53225	20748	Thread (under) Eyelet (back).....
190J	20748	Thread (under) Eyelet (back) Screw.....
54072	24452	Thread (under) Eyelet (front).....
131970	24439	Thread (under) Nipper Cam with 465AL.....
465AL	24439	Thread (under) Nipper Cam Set Screw.....
38210	24452	Thread (under) Nipper Spring (lower).....
38211	24452	Thread (under) Nipper Spring (upper).....
46247	24452	Thread (under) Nipper Spring (upper) Stop.....
176J	24452	Thread (under) Nipper Spring Screw.....
38475	24439	Thread (under) Take-up with 465AL.....
465AL	24439	Thread (under) Take-up Set Screw.....
53242	24452	Thread (under) Take-up Staple.....
54049	24452	Thread (under) Take-up Staple Bracket with 460AL.....
965D	24452	Thread (under) Take-up Staple Bracket Screw.....
46041	24452	Thread (under) Take-up Staple Spring.....
190J	24452	Thread (under) Take-up Staple Spring Screw.....
38482	24452	Thread (under) Take-up Stripper.....
207J	24452	Thread (under) Take-up Stripper Screw.....
131972	24439	Thread (under) Take-up Thread Guard.....
64356	24452	Thread (under) Take-up Thread Guard Steady Pin.....

No.	Plate	Name
460AL	24452	Thread (under) Take-up Thread Guard Steady Pin Set Screw.....
46009	24450	Thread (upper) Eyelet.....
190J	24450	Thread (upper) Eyelet Screw.....
68129	24450	Thread (upper) Nipper Body.....
1149AL	24450	Thread (upper) Nipper Body Set Screw.....
68130	24450	Thread (upper) Nipper Disc (inside).....
68131	24450	Thread (upper) Nipper Disc (inside) Washer (fiber).....
68132	24450	Thread (upper) Nipper Disc (outside).....
1698R	24450	Thread (upper) Nipper Disc (outside) Nut.....
59456	24450	Thread (upper) Nipper Disc (outside) Nut Washer.....
68133	24450	Thread (upper) Nipper Roller.....
68134	24450	Thread (upper) Nipper Roller Hinge Pin.....
68135	24450	Thread (upper) Nipper Stud.....
68136	Thread (upper) Nipper Stud 68135 with 68133 and 68134..
131977	24450	Thread (upper) Nipper Stud Spring.....
68137	24450	Thread (upper) Nipper complete, Nos. 1698R, 59456, 68129, 68130, 68131, 68132, 68136 and 131977.....
68138	24450	Thread (upper) Nipper Thread Guide.....
207J	24450	Thread (upper) Nipper Thread Guide Screw.....
131334	24450	Thread (upper) Take-up.....
54095	24450	Thread (upper) Take-up Plate.....
68164	24450	Thread (upper) Take-up Plate Spring.....
1449J	24450	Thread (upper) Take-up Plate Spring Screw.....
131335	24450	Thread (upper) Take-up complete, Nos. 1449J, 54095, 68164 and 131334.....
211C	24445	Thread (upper) Take-up Set Screw.....
147607	24455	Throat Plate for 3/16 in., 1/4 in. and 5/16 in. gauges.....
742F	24453	NOTE: When ordering Throat Plate, state gauge required. Throat Plate Screw (2).....

SET OF FITTINGS No. 147611

FOR

Nos. 147-93 AND 147-94 MACHINES

FOR AWNINGS, TARPAULINS, AUTOMOBILE WORK, Etc.

No.	Plate	Name
147565	24453	Feed Dog, 15 teeth (10 teeth to the inch).....
147586	24453	Feeding Foot.....
68121	24453	Looper.....
131852	24453	Looper 68121 with 229E and 131853.....
131853	24453	Looper Needle Guard with 46105.....
46105	24453	Looper Needle Guard Pin.....
229E	24453	Looper Needle Guard Screw.....
131739	24453	Needle Bar (hollow) with 857AL.....
131316	24453	Needle Guard (movable).....
857AL	24453	Needle Set Screw.....
62527	24453	Presser Foot Hinge Pin.....
147588	24453	Presser Foot Plate.....
131860	24453	Presser Foot Shank.....
147589	24453	Presser Foot (hinged) complete, Nos. 62527, 131860 and 147588.....
147566	24453	Throat Plate.....
147611	24453	Set of Fittings complete, Nos. 131316, 131739, 131852, 147565, 147566, 147586 and 147589.....

NOTE: No. 147611 is sent with these machines, unless otherwise specified on order.

By substituting the following fittings, these machines can be converted into a two-needle, one-looper or two-needle, two-looper machines.

147612—Set of Fittings complete, for two-needles, one loopers. Gauges 3/16" and 1/4".

147613—Set of Fittings complete, for two-needle, two loopers. Gauges 3/16", 1/4" and 5/16".

SET OF FITTINGS No. 147612

FOR

No. 147-121 MACHINE

FOR SEAM COVERING, FOR FRENCH SEAMING ON AUTOMOBILE WORK
FOR 3/16 IN. AND 1/4 IN. GAUGES

No.	Plate	Name
147593	24454	Feed Dog, 14 teeth (10 teeth to the inch).....
147594	24454	Feeding Foot Plate.....
147595	24454	Feeding Foot Shank.....
51307C	24454	Feeding Foot Shank Hinge Screw (2).....
8282	24454	Feeding Foot Spring.....
147596	24454	Feeding Foot (hinged) complete, Nos. 8282, 147594, 147595 and two 51307C.....
131878	24454	Looper with 590J and 38393.....
131879	24454	Looper 131878 with 229E and 131853.....
131853	24454	Looper Needle Guard with 46105.....
46105	24454	Looper Needle Guard Pin.....
229E	24454	Looper Needle Guard Screw.....
38393	24454	Looper Thread Guard.....
590J	24454	Looper Thread Guard Screw.....
64319	24454	Needle Bar (hollow).....
131884	24454	Needle Bar complete, Nos. 64319 with 131886.....
131886	24454	Needle Clamp with two 50379F.....
50379	24454	Needle Set Screw (2).....
147597	24454	Needle Guard (movable).....
147598	Presser Foot Hinge Connection.....
26276	24454	Presser Foot Hinge Pin.....
147599	24454	Presser Foot Plate.....
147600	24454	Presser Foot Shank.....
140652C	24454	Presser Foot Shank Hinge Screw (2).....
8282	24454	Presser Foot Spring.....
147601	24454	Presser Foot (double hinged) complete, Nos. 8282, 26276, 147598, 147599, 147600 and two 140652C.....
147602	24454	Throat Plate.....
147612	24454	Set of Fittings complete, Nos. 131879, 131884, 147593, 147596, 147597, 147601 and 147602.....

NOTE: No. 147612 is sent with this machine, unless otherwise specified on the order.

By substituting the following fittings, the machine can be converted into a one-needle, one-looper or two-needle, two-looper.

147611—Set of Fittings complete, for one-needle, one looper.

147613—Set of Fittings complete, for two-needles, two loopers.

From the Property of: Diamond Needle Co. Inc.

SET OF FITTINGS No. 147613

FOR

No. 147-122 MACHINE

FOR AWNINGS, TARPAULINS, AUTOMOBILE WORK, Etc.

FOR 3/16 IN., 1/4 IN. AND 5/16 IN. GAUGES

No.	Plate	Name
147603	24455	Feed Dog, 15 teeth (10 teeth to the inch)
147604	24455	Feeding Foot Plate
51307C	24455	Feeding Foot Plate Hinge Screw (2)
131469	24455	Feeding Foot Shank
8282	24455	Feeding Foot Spring
147605	24455	Feeding Foot (hinged) complete, Nos. 8282, 131469, 147604 and two 51307C
131425	24455	Looper (back)
452AL	24455	Looper (back) Set Screw
131426	24455	Looper (front)
1120AL	24455	Looper (front) Set Screw
131579	24455	Looper Holder Body
131580	24455	Looper Holder Body 131579 with 452AL and 1120AL
64319	24455	Needle Bar (hollow)
131045	24455	Needle Bar complete, Nos. 64319 and 131044
131044	24455	Needle Clamp with two 1498F
131174	24455	Needle Guard (movable)
1498F	24455	Needle Set Screw (2)
147606	24455	Presser Foot
147607	24455	Throat Plate
147613	24455	Set of Fittings complete, Nos. 131045, 131174, 131425, 131426, 131580, 147603, 147605, 147606 and 147607

NOTE: No. 147613 is sent with this machine, unless otherwise specified on the order.

By substituting the following fittings, this machine can be converted into a one-needle, one looper or a two-needle, one-looper.

147611—Set of Fittings complete, for one-needle, one looper.

147612—Set of Fittings complete, for two-needles, one-looper. Gauges 3/16" and 1/4".

ACCESSORIES

No.	Plate	Name
120344	20691	Oiler (copper plated) with 120345
120345	20691	Oiler Spout, 4 1/2 in. long
120440	20691	Screw Driver (large)
121108	20691	Screw Driver (small)
120341	20691	Tweezers (curved)
4822	20691	Wrench for 1547
8908	20691	Wrench for 1520
17905	20691	Wrench for 140123
164197	20691	Wrench for 51715 (not regularly furnished)

BELT GUARD

68222	20633	Belt Guard with two wood screws 1 in. No. 12
-------	-------	----------------------------------------------

BENCH STANDS

BENCH STAND No. 79772

FOR MACHINE BASE No. 131264

WHEN MACHINE IS MOUNTED ON TOP OF TABLE

79772	Bench Stand with 27998, two each 41538, 126849, three wood screws 1 1/4 in. No. 12, four each 60656, wood screws 1 1/4 in. No. 10, eight wood screws 5/8 in. No. 6 and sixteen wood screws 5/8 in. No. 7
126849	20691	Flap Hinge with four wood screws 3/4 in. No. 7 (2)
27998	20691	Flap Hook and Eye (large) with wood screws 1/2 in. No. 5
126247	20691	Flush Bolt (2)
126248	20691	Flush Bolt Plate (2)
41538	Flush Bolt with Plate complete, Nos. 126247, 126248 and four brass wood screws 5/8 in. No. 4 (2)
60656	20691	Hinge (4)

BENCH STAND No. 135115

FOR MACHINE BASE No. 131919

WHEN MACHINE IS MOUNTED SEMI-SUBMERGED

135115	Bench Stand with 27998, 60220 and four each 126849 with wood screws 5/8 in. No. 7 F.H. (in place of wood screws 3/4 in. No. 7 F.H.) and wood screws 1 1/2 in. No. 10 F.H.
126849	20691	Flap Hinge with four wood screws 5/8 in. No. 7 F.H. (4)
27998	20691	Flap Hook and Eye (large) with wood screws 1/2 in. No. 5
60220	Flap Hook and Eye (small) with wood screw 5/8 in. No. 4

FOOT LIFTER PARTS

6439	Chain, 36 in. to 45 in., with 56864 and 56865
4879	20633	NOTE: When ordering No. 6439, state length required.
56864	20691	Chain Connecting Link
56865	20691	Chain Hook (large)
126249	20633	Chain Hook (small)
4882	20633	Treadle
126250	20633	Treadle Shaft
150451	20633	Treadle Spring
150452	20633	Treadle Stand
	20633	Treadle complete, Nos. 4879, 4882, 126249, 126250, 150451 and two wood screws 1 in. No. 16 F.H.

From the library of Diarrhoea & Dysentery Institute

KNEE LIFTER PARTS

FOR USE WHEN MACHINE IS MOUNTED ON TOP OF TABLE

No.	Plate	Name
37563	Chain, length 15 in., with 56864 and 56865.....
56864	20691	Chain Hook (large).....
56865	20691	Chain Hook (small).....
2763	20633	Rock Shaft.....
12242	20633	Rock Shaft Hanger with two wood screws 1 in. No. 10 (2)....
6335	20633	Rock Shaft Knee Arm.....
6336	Rock Shaft Knee Arm complete, Nos. 2766, 2767 and 6335.
2766	20633	Rock Shaft Knee Arm Hub with 356C.....
356C	20633	Rock Shaft Knee Arm Hub Set Screw.....
2767	20633	Rock Shaft Knee Plate with 356C.....
356C	20633	Rock Shaft Knee Plate Set Screw.....
6337	20633	Rock Shaft Lifting Bracket with two 356C.....
7125	20633	Rock Shaft Lifting Bracket Hook.....
356C	20633	Rock Shaft Lifting Bracket Hook Set Screw.....
356C	20633	Rock Shaft Lifting Bracket Set Screw.....
2770	20633	Rock Shaft Stop Dog with 140219C.....
140219C	20633	Rock Shaft Stop Dog Set Screw.....
23767	20633	Rock Shaft complete, Nos. 2763, 2770, 6336, 6337, 7125 and two 12242.....

MACHINE BASES

MACHINE BASE No. 131264

WHEN MACHINE IS MOUNTED ON TOP OF TABLE

FOR USE WITH BENCH STAND No. 79772

131263	24409	Machine Base.....
54477	24409	Machine Base Screw Stud, to fasten base to table (3).....
131205	24409	Machine Base Screw Stud, to position machine on base (4)...
51576E	24409	Machine Base Screw Stud Nut (3).....
9842	24409	Machine Base Screw Stud Nut Washer (3).....
131022	24409	Machine Base Screw Stud Bushing (rubber) (4).....
131279	24409	Machine Cushion (felt) (4).....
131264	24409	Machine Base complete, Nos. 131263, three each 9842, 51576E, 54477 and four each 131205 and 131279.....
131328	24409	Machine Base and Oil Drain Jar (swinging type) complete, Nos. 131264 and 131268.....

MACHINE BASE No. 131919

WHEN MACHINE IS MOUNTED SEMI-SUBMERGED

FOR USE WITH BENCH STAND No. 135115

131918	24410	Machine Base.....
51428R	24410	Machine Base Bolt with 1778R (4).....
1778R	24410	Machine Base Bolt Nut (4).....
126150	24410	Machine Base Bolt Nut Lock Washer (4).....
69353	24410	Machine Base Bolt complete, to fasten base to table, Nos. 51428R and 126150 (4).....
131205	24410	Machine Base Screw Stud, to position machine on base (4)...
131022	24409	Machine Base Screw Stud Bushing (rubber) (4).....
131279	24410	Machine Cushion (felt) (4).....
131919	24410	Machine Base complete, Nos. 131918 and four each 69353, 131205 and 131279.....
131920	24410	Machine Base and Oil Drain Jar (swinging type) complete, for semi-submerged mounting, Nos. 131268 and 131919.

MACHINE BASE OIL DRAIN JAR

(Swinging Type)

No.	Plate	Name
131961	24409	Jar (glass).....
131962	24409	Jar Cap.....
131188	24409	Jar Clamp.....
131217	Jar Clamp 131188 with 131189.....
131189	24409	Jar Clamp Lever.....
1247C	24409	Jar Clamp Lever Hinge Screw (2).....
131265	24409	Nipple (long) (2).....
131266	24409	Nipple (short).....
131267	24409	Nipple Elbow (2).....
131268	24409	Machine Base Oil Drain Jar (swinging type) complete, Nos. 131217, 131266, 131961, 131962 and two each 1247C, 131265 and 131267.....

THREAD UNWINDER

FOR Nos. 147-93 AND 147-94 MACHINES

FOR TWO SPOOLS

228692	Spool Pin (2).....
201528X	Spool Pin Nut (2).....
228693	Spool Pin Washer (2).....
225257	24456	Spool Rest (for two spools) with 201018C and two each 201528X, 228692 and 228693.....
150203	24456	Spool Rest Cushion (felt) (2).....
225388	24456	Spool Rest Rod.....
200383C	24456	Spool Rest Rod Set Screw.....
201018C	24456	Spool Rest Set Screw.....
259658	24456	Spool Stand with 200383C.....
225391	24456	Thread Guide (2).....
201696J	24456	Thread Guide Lock Nut.....
225326	24456	Thread Guide Position Cup.....
225324	24456	Thread Guide Rod with 208AL and 225322.....
208AL	24456	Thread Guide Rod Screw.....
225322	24456	Thread Guide Rod Washer.....
150086	24456	Thread Separator.....
150060	24456	Thread Separator Bracket Arm with 164J and 9525.....
164J	24456	Thread Separator Bracket Arm Clamping Screw.....
9525	24456	Thread Separator Bracket Arm Clamping Screw Washer....
164J	24456	Thread Separator Bracket Arm Screw.....
9525	24456	Thread Separator Bracket Arm Screw Washer.....
150087	Thread Separator complete, Nos. 164J, 9525, 150060 and 150086.....
150088	24456	Thread Unwinder complete, Nos. 150087, 201696J, 225257, 225324, 225326, 225388, 259658, two each 150203, 225391 and three wood screws 7/8 in. No. 12...
27739	24456	Thread Cone (wood) for large cones.....
225390	24456	Thread Cone Holder, for inverted cones.....

NOTE: Nos. 27739 and 225390 are used with, but not included in 150088.

THREAD UNWINDER**FOR No. 147-121 MACHINE****THREE SPOOLS**

No.	Plate	Name
228692		Spool Pin (3).....
201528X		Spool Pin Nut (3).....
228693		Spool Pin Washer (3).....
225259	24457	Spool Pin (for one spool) with 201018C, 201528X, 228692 and 228693.....
225257	24457	Spool Rest (for two spools) with 201018C and two each 201528X, 228692 and 228693.....
150203	24457	Spool Rest Cushion (felt) (3).....
225388	24457	Spool Rest Rod.....
200383C	24457	Spool Rest Rod Set Screw.....
201018C	24457	Spool Rest Set Screw.....
259658	24457	Spool Stand with 200383C.....
225391	24457	Thread Guide (3).....
201696J	24457	Thread Guide Lock Nut.....
225326	24457	Thread Guide Position Cup.....
225324	24457	Thread Guide Rod with 208AL and 225322.....
208AL	24457	Thread Guide Rod Screw.....
225322	24457	Thread Guide Rod Washer.....
150058	24457	Thread Separator.....
150060	24457	Thread Separator Bracket Arm with 164J and 9525.....
164J	24457	Thread Separator Bracket Arm Clamping Screw.....
9525	24457	Thread Separator Bracket Arm Clamping Screw Washer
164J	24457	Thread Separator Bracket Arm Screw.....
9525	24457	Thread Separator Bracket Arm Screw Washer.....
150061		Thread Separator complete, Nos. 164J, 9525, 150058 and 150060.....
150178	24457	Thread Unwinder complete, Nos. 150061, 201696J, 225257, 225259, 225324, 225326, 225388, 259658 and three each 150203, 225391 and wood screws 7/8 in. No. 12.....
27739		Thread Cone (wood) for large cones.....
225390		Thread Cone Holder, for inverted cones.....

NOTE: Nos. 27739 and 225390 are used with, but not included in 150178.

THREAD UNWINDER

FOR No. 147-122 MACHINE

FOR FOUR SPOOLS

No.	Plate	Name
228692		Spool Pin (4)
201528X		Spool Pin Nut (4)
228693		Spool Pin Washer (4)
225257	24458	Spool Rest (for two spools) with 201018C and two each 201528X, 228692 and 228693 (2)
150203	24458	Spool Rest Cushion (felt) (4)
225388	24458	Spool Rest Rod
200383C	24458	Spool Rest Rod Set Screw
201018C	24458	Spool Rest Set Screw (2)
259658	24458	Spool Stand with 200383C
225391	24458	Thread Guide (4)
201696J	24458	Thread Guide Lock Nut
225326	24458	Thread Guide Position Cup
225324	24458	Thread Guide Rod with 208AL and 225322
208AL	24458	Thread Guide Rod Screw
225322	24458	Thread Guide Rod Washer
150058	24458	Thread Separator
150060	24458	Thread Separator Bracket Arm with 164J and 9525
164J	24458	Thread Separator Bracket Arm Clamping Screw
9525	24458	Thread Separator Bracket Arm Clamping Screw Washer
164J	24458	Thread Separator Bracket Arm Screw
9525	24458	Thread Separator Bracket Arm Screw Washer
150061		Thread Separator complete, Nos. 164J, 9525, 150058 and 150060
150062	24458	Thread Unwinder complete, Nos. 150061, 201696J, 225324, 225326, 225388, 259658, two 225257, three wood screws 7/8 in. No. 12 and four each 150203 and 225391
27739	24458	Thread Cone (wood) for large cones
225390	24458	Thread Cone Holder, for inverted cones

NOTE: Nos. 27739 and 225390 are used with, but not included in 150062.

SINGER Needles should be used
in SINGER Machines
These Needles and their Containers
are marked with the
Company's Trade Mark "SIMANCO.**" 1

Needles in Containers marked
"FOR SINGER MACHINES"
are NOT SINGER made needles. 2

NUMERICAL LIST OF PARTS

No.	Plate	Name
41F	24446	Feed (upper) Rock Shaft Pitman Hinge Screw (2)
129E	24446	Feed (upper) Rock Shaft Pitman Crank Shaft Bracket Screw (2)
142W	24442	Face Plate Screw
144D	24439	Arm Rotary Shaft Screw
161J	20748	Lifting Presser Bar Lifting Lever Extension Screw for No. 147-94 Machine (2)
161J	20748	Presser Bar Lifting Lever Extension Screw for Nos. 147-93, 147-121 and 147-122 Machines (2)
164J	24456	Thread Unwinder Thread Separator Bracket Arm Clamping Screw for 150060
164J	24456	Thread Unwinder Thread Separator Bracket Arm Screw for 150061 and 150087
171AL	24450	Slack Thread Regulator Holder Crank Clamping Screw for 131405
172E	24443	Feed (upper) Rock Shaft Crank (front) Clamping Screw for 68178
175E	24447	Looper Carrier Adjusting Screw for 54027 (2)
175E	24447	Looper Carrier Driver Cap Screw for 68479 (4)
176E	24449	Oil Pipe (back of arm) Clamping Plate Screw
176J	24452	Thread (under) Nipper Spring Screw
190J	24446	Feed (lower) Bar Feed Dog Seat Screw for 147579
190J	24443	Lifting Presser Foot Screw for No. 147-94 Machine
190J	24442	Presser Foot Screw for Nos. 147-93, 147-121 and 147-122 Machines
190J	24450	Slack Thread Controller Clamp Screw
190J	20748	Thread (under) Eyelet (back) Screw
190J	24452	Thread (under) Take-up Staple Spring Screw
190J	24450	Thread (upper) Eyelet Screw
198E	24449	Oil Pipe (back of arm) Connection Cap Screw for 68494 (2)
198E	24449	Oil Pipe (front of arm) Connection Cap Screw for 131002, 131003 and 131084 (10)
199D	24442	Feed (upper) Bar Connecting Link (upper) Cap Screw (large) for 147585
203J	24442	Feeding Foot Screw
205C	24439	Arm Rotary Shaft Ball Bearing (back) Case Cap Screw for 131479 (3)
207E	24446	Feed (lower) Bar Wearing Plate Screw for 147579 (2)
207J	24452	Thread (under) Take-up Stripper Screw
207J	24450	Thread (upper) Nipper Thread Guide Screw
208AL	24456	Thread Unwinder Thread Guide Rod Screw for 225324
211C	24442	Thread (upper) Take-up Set Screw for 131400
217J	24439	Feed (lower) Eccentric Clamping Washer Screw for 54025 (2)
217J	24439	Feed (upper) Eccentric Clamping Washer Screw for 54456 (2)
217J	24450	Slack Thread Regulator Screw
229E	24453	Looper Needle Guard Screw for 131852 and 131879
316C	20748	Tension (upper thread) Releasing Shaft Stop Screw
356C	20633	Knee Lifter Rock Shaft Knee Arm Hub Set Screw for 2766
356C	20633	Knee Lifter Rock Shaft Knee Plate Set Screw for 2767
356C	20633	Knee Lifter Rock Shaft Lifting Bracket Hook Set Screw for 6337
356C	20633	Knee Lifter Rock Shaft Lifting Bracket Set Screw for 6337
376J	20748	Tension (upper thread) Bracket Screw
389F	24440	Cloth Plate Thread Guard Screw (lower)
423AL	20679	Arm Rock Shaft Bushing (intermediate) Set Screw
429C	24439	Arm Rotary Shaft Ball Bearing (back) Case Set Screw
443AL	24447	Looper Carrier Connection Shaft Sleeve Set Screw for 131882 (2)
443AL	24449	Oil Pipe (back of arm) Clamping Plate Bracket Screw
446AL	20679	Arm Rock Shaft Bushing (back) Set Screw
452AL	24448	Looper (back) Set Screw for 131580
453AL	20679	Arm Rock Shaft Flanged Bushing (front) Set Screw

No.	Plate	Name
453AL	24446	Feed (lower) Rocking Frame Hinge Pin Bushing Set Screw (2)
453AL	24446	Feed (lower) Rocking Frame Hinge Pin Set Screw for 147582 (2)
453AL	24443	Lifting Presser Bar Lifting Bracket Guide Set Screw for No. 147-94 Machine
453AL	24443	Lifting Presser Bar Lifting Bracket Set Screw for 131630
453AL	24442	Presser Bar Lifting Bracket Guide Set Screw for Nos. 147-93, 147-121 and 147-122 Machines
453AL	24442	Presser Bar Lifting Bracket Set Screw for 131630
456AL	24446	Feed (lower) Bar Hinge Pin Set Screw for 147578 (2)
457AL	24439	Arm Rotary Shaft Ball Bearing (intermediate) Collar Set Screw for 131482 (2)
460AL	24446	Feed Dog Stop Screw for 131730
460AL	24452	Thread (under) Take-up Thread Guard Steady Pin Set Screw for 54049
465AL	24446	Feed (upper) Rock Shaft Collar Set Screw for 54369 (2)
465AL	24439	Thread (under) Nipper Cam Set Screw for 131970
465AL	24439	Thread (under) Take-up Set Screw for 38475
590J	24454	Looper Thread Guard Screw for 131878
624AL	20748	Tension (upper thread) Releasing Shaft Crank Set Screw for 54047
640E	24439	Looper Driving Shaft and Feed Lifting Eccentric Screw for 147575
665J	24440	Cloth Plate Slide (left) Spring Screw for 131051 (2)
665J	24440	Cloth Plate Slide (right) Spring Screw for 131384 and 131387 (2)
691AL	20748	Tension (under thread) Bracket Screw (2)
735AL	24446	Feed (lower) Bar Hinge Pin Collar Set Screw for 59343
735AL	24446	Feed (lower) Connecting Rod Hinge Pin Collar Set Screw for 59343
742F	24453	Throat Plate Screw (2)
761E	24439	Arm Rotary Shaft Bushing (front) Set Screw
761E	24439	Looper Driving Shaft and Feed Lifting Eccentric Bushing Position Screw for 68483
802D	20748	Lifting Presser Bar Lifting Lever Hinge Screw for No. 147-94 Machine
802D	20748	Presser Bar Lifting Lever Hinge Screw for Nos. 147-93, 147-121 and 147-122 Machines
853AL	20679	Needle Bar Connecting Link Hinge Stud Set Screw for 131693
857AL	24442	Needle Set Screw for 131739
861C	24442	Needle Bar Connecting Link Hinge Stud Oil Plug Screw
896AL	24439	Feed (lower) Connecting Rod Cap Screw for 131500 (2)
896AL	24439	Feed (upper) Connecting Rod Cap Screw for 131500 (2)
914J	20679	Feed (upper) Bell Crank Connection Sleeve Slide Block Clamping Washer Screw for 131694 (2)
965D	24452	Thread (under) Take-up Staple Bracket Screw
1011F	24440	Cloth Plate Screw (left) (2)
1057AL	20688	Arm Bottom Cover Screw (4)
1057AL	20688	Arm Side Cover Screw (4)
1057AL	24439	Crank Connecting Rod Cap (upper) Screw for 131926 (2)
1057AL	24439	Feed (lower) Connecting Rod Clamping Screw for 131500
1057AL	24439	Feed (upper) Connecting Rod Clamping Screw for 131500
1057AL	24442	Feed (upper) Rock Shaft Crank (front) Clamping Screw for 52595
1103C	24439	Feed (lower) Regulating Screw for 54025
1103C	24439	Feed (upper) Regulating Screw for 54456
1120AL	24447	Looper Set Screw for 54035
1120AL	24448	Looper (front) Set Screw for 131580
1133E	24443	Lifting Presser Bar Bushing (lower) Set Screw for 147-94 Machine
1133E	24443	Lifting Presser Bar Bushing (upper) Set Screw for 147-94 Machine

No.	Plate	Name
1133E	24442	Needle Bar Bushing (lower) Set Screw
1133E	24442	Needle Bar Bushing (upper) Set Screw
1133E	24442	Presser Bar Bushing (lower) Set Screw for Nos. 147-93, 147-121 and 147-122 Machines
1133E	24442	Presser Bar Bushing (upper) Set Screw for Nos. 147-93, 147-121 and 147-122 Machines
1149AL	24450	Thread (upper) Nipper Body Set Screw
1194C	24443	Feed (upper) Lifting Regulating Screw for 147591
1239F	24443	Feed (upper) Bar Cap Screw for 147591
1239F	24443	Feed (upper) Bell Crank Cap Screw for 147591 (2)
1239F	24443	Feed (upper) Lifting Regulator Connecting Link Cap Screw for 147591
1247C	24409	Machine Base Oil Drain Jar Clamp Lever Hinge Screw for 131268
1250AL	24442	Feed (upper) Bar Lifting Bracket Position Screw for 131649
1283C	24443	Feed (upper) Bar Connecting Link Hinge Screw for 147591
1289X	20688	Arm Side Cover Cap Screw for 131911
1304C	24439	Arm Rotary Shaft Ball Bearing (intermediate) Case Set Screw
1309C	20679	Arm Rock Shaft Adjusting Screw
1423W	24442	Feed (upper) Bar Connecting Link (lower) Cap Screw for 147585 (2)
1423W	24442	Feed (upper) Bar Connecting Link (upper) Cap Screw (small) for 147585
1423J	24450	Slack Thread Regulator Holder Crank Cap Screw
1449J	24450	Thread (upper) Take-up Plate Spring Screw for 131335
1492E	24442	Needle Bar Connecting Stud Clamping Screw for 131400
1498F	24445	Needle Set Screw for 131044
1520J	24446	Feed (upper) Rock Shaft Pitman Hinge Screw Nut (2)
1520J	24442	Needle Bar Connecting Link Hinge Stud Nut
1520J	24449	Oil Pipe (back of arm) Clamping Plate Bracket Screw Lock Nut
1547J	20748	Tension (upper thread) Releasing Shaft Stop Screw Nut
1637J	20688	Lifting Presser Bar Spring Screw Stud Lock Nut for 131830 and 131851
1637J	20688	Presser Bar Spring Screw Stud Lock Nut for 131830 and 131851
1698R	24450	Thread (upper) Nipper Disc (outside) Nut for 68137
1708J	24443	Feed (upper) Bar Connecting Link Hinge Screw Nut for 147591
1733	24449	Oil Pipe (back of arm) Coupling Nut (brass) for 147587
1733	24449	Oil Pipe (front of arm) Coupling Nut (brass) for 68500 and 131637 (3)
1749C	24443	Feed (upper) Lifting Regulating Screw Nut for 147591
1778R	24410	Machine Base Bolt Nut for 51428R (4)
2102	20748	Tension (under thread) Disc (4)
2102	20748	Tension (upper thread) Disc (4)
2763	20633	Knee Lifter Rock Shaft for 23767
2766	20633	Knee Lifter Rock Shaft Knee Arm Hub with 356C, for 6336
2767	20633	Knee Lifter Rock Shaft Knee Plate with 356C, for 6336
2770	20633	Knee Lifter Rock Shaft Stop Dog with 140219C, for 23767
4822	20691	Wrench for 1547 (Accessories)
4879	20633	Foot Lifter Chain Connecting Link for 150452
4882	20633	Foot Lifter Treadle Shaft for 150452
6335	20633	Knee Lifter Rock Shaft Knee Arm for 6336
6336	Knee Lifter Rock Shaft Knee Arm complete, for 23767, Nos. 2766, 2767 and 6335
6337	20633	Knee Lifter Rock Shaft Lifting Bracket with two 356C, for 23767
6439	Foot Lifter Chain, 36 in. to 45 in., with 56864 and 56865
7071	24439	NOTE: When ordering No. 6439, state length required.
7071	24439	Feed (lower) Eccentric Clamping Washer for 54025 (2)
7071	24439	Feed (upper) Eccentric Clamping Washer for 54456 (2)

No.	Plate	Name
7125	20633	Knee Lifter Rock Shaft Lifting Bracket Hook for 23767.....
8282	24454	Feeding Foot Spring for 147596 and 147605.....
8282	24454	Presser Foot Spring for 147601.....
8908	20691	Wrench for 1520 (Accessories).....
9525	24443	Feed (upper) Lifting Regulating Screw Washer for 147591..
9525	24456	Thread Unwinder Thread Separator Bracket Arm Clamping Screw Washer for 150060.....
9525	24456	Thread Unwinder Thread Separator Bracket Arm Screw Washer for 150061 and 150087.....
9842	24409	Machine Base Screw Stud Nut Washer for 131264 (3).....
11119	20679	Arm Oil Tube with 52045, for oiling Thread (upper) Nipper
12242	20633	Knee Lifter Rock Shaft Hanger with two wood screws 1 in. No. 10, for 23767 (2).....
13862	24442	Face Plate Oil Tube (short) with 52045, for oiling Feed (upper) Bar Connecting Link (upper) for 147577.....
17905	20691	Wrench for 140123 (Accessories).....
22436	24446	Feed (lower) Bar Feed Dog Seat Screw Washer for 147579.
23767	20633	Knee Lifter Rock Shaft complete, Nos. 2763, 2770, 6336, 6337, 7125 and two 12242.....
26276	24454	Presser Foot Hinge Pin for 147601.....
27739	24456	Thread Unwinder Thread Cone (wood) for large cones
		NOTE: No. 27739 is used with, but not included in 150062, 150088 or 150178.
27998	20691	Bench Stand Flap Hook and Eye (large) with wood screw ½ in. No. 5 for 79772 and 135115
32572	20748	Tension (upper thread) Releasing Disc (2).....
37563	Knee Lifter Chain, length 15 in., with 56864 and 56865
38210	24452	Thread (under) Nipper Spring (lower).....
38211	24452	Thread (under) Nipper Spring (upper).....
38393	24454	Looper Thread Guard for 131878.....
38456	24443	Lifting Presser Bar Bushing (upper) for No. 147-94 Machine
38456	24442	Presser Bar Bushing (upper) for Nos. 147-93, 147-121 and 147-122 Machines.....
38468	20688	Lifting Presser Bar Spring Stud for 147-94 Machine.....
38468	20688	Presser Bar Spring Stud for 147-93, 147-121 and 147-122 Machines.....
38475	24439	Thread (under) Take-up with 465AL.....
38482	24452	Thread (under) Take-up Stripper.....
41538	Bench Stand Flush Bolt with Plate complete, for 79772, Nos. 126247, 126248 and four brass wood screws ¾ in. No. 4 (2).....
42290K	20688	Pressure Regulating Thumb Nut Washer for 131851
42365	20679	Arm Rock Shaft Oil Pad for oiling Back Bearing.....
42367	24439	Arm Rotary Shaft Front Bearing Oil Pad (lower).....
46009	24450	Thread (upper) Eyelet.....
46041	24452	Thread (under) Take-up Staple Spring.....
46195	24453	Looper Needle Guard Pin for 131853.....
46247	24452	Thread (under) Nipper Spring (upper) Stop
49092	24440	Cloth Plate Oil Tube Packing (felt) for 54309.....
50083AL	24439	Arm Rock Shaft Crank (back) Set Screw for 131486 (2).....
50200C	24446	Feed (upper) Rock Shaft Crank (back) Set Screw for 54156 (2)
50200C	24446	Feed (upper) Rock Shaft Pitman Crank Set Screw for 131625.....
50200C	24443	Lifting Presser Bar Guide Bracket (upper) Set Screw for 68181.....
50326C	20748	Tension (under thread) Screw Stud for 59539 (2).....
50326C	20748	Tension (upper thread) Screw Stud for 59539 (2).....
50328C	20679	Feed (upper) Bell Crank Connection Sleeve Slide Block Regulating Screw for 131694
50379F	24444	Needle Set Screw for 131886 (2).....
50396F	24440	Cloth Plate Screw (right).....
50473F	24440	Cloth Plate Thread Guard Screw (upper).....
50597C	24447	Looper Carrier Connection Shaft Sleeve Collar Position Screw Stud for 131882.....

No.	Plate	Name
50608R	20688	Arm Hole Plug Screw, for access to Crank Connecting Rod (upper bearing).....
51061AL	24439	Feed (lower) Eccentric Body Set Screw for 54025 (3).....
51061AL	24439	Feed (upper) Eccentric Body Set Screw for 54456 (3).....
51119J	24447	Looper Holder Screw.....
51263D	24447	Looper Carrier Connection Shaft Sleeve Cap Screw.....
51283AL	24439	Machine Driving Pulley Set Screw for 131914 (2).....
51307C	24454	Feeding Foot Plate Hinge Screw for 147596 and 147605 (2)
51422J	24439	Looper Driving Shaft and Feed Lifting Eccentric Bracket Screw for 147573.....
51428R	24410	Machine Base Bolt with 1778R, for 69353 (4).....
51570C	20748	Tension (under thread) Regulating Thumb Nut for 59539 (2)
51570C	20748	Tension (upper thread) Regulating Thumb Nut for 59539 (2)
51576E	24409	Machine Base Screw Stud Nut for 131264 (3).....
51697W	20688	Pressure Regulating Thumb Nut for 131830 and 131851
51715AL	24439	Crank Connecting Rod Cap (lower) Screw Stud Nut for 131926 (2).....
52045	20679	Arm Oil Tube Packing (wick) for 11119 and 56003.....
52045	24442	Face Plate Oil Tube Packing (wick) for 13862.....
52595	24442	Feed (upper) Rock Shaft Crank (front) with 1057AL, for 147585.....
53225	20748	Thread (under) Eyelet (back).....
53242	24452	Thread (under) Take-up Staple.....
54025	24439	Feed (lower) Eccentric (adjustable) complete, for 131502, Nos. 1103C, 138306, two each 217J, 7071 and three 51061AL.....
54027	24447	Looper Carrier with two 175E, for 147507.....
54035	24447	Looper Holder with 1120AL, for Nos. 147-93, 147-94 and 147-121 Machines.....
54047	20748	Tension (upper thread) Releasing Shaft Crank with 624AL..
54048	20748	Tension (upper thread) Releasing Shaft Crank Link.....
54049	24452	Thread (under) Take-up Staple Bracket with 460AL.....
54070	20748	Tension (upper thread) Bracket.....
54071	20748	Tension (upper thread) Releasing Shaft.....
54072	24452	Thread (under) Eyelet (front).....
54095	24450	Thread (upper) Take-up Plate for 131335.....
54143	24442	Feed (upper) Bar Connecting Link (lower) for 147585.....
54155	24446	Feed (upper) Rock Shaft.....
54156	24446	Feed (upper) Rock Shaft Crank (back) with two 50200C.
54218	24439	Arm Rotary Shaft Front Bearing Oil Pad (upper).....
54227	24447	Looper Carrier Connection for 147507.....
54228	24447	Looper Carrier Connection Shaft for 147507
54242	24450	Slack Thread Controller Clamp.....
54309	24440	Cloth Plate Oil Tube with 49092, for 131606.....
54369	24446	Feed (upper) Rock Shaft Collar with two 465AL.....
54456	24439	Feed (upper) Eccentric (adjustable) complete, for 131617, Nos. 1103C, 138306, two each 217J, 7071 and three 51061AL.....
54477	24409	Machine Base Screw Stud, to fasten base to table, for 131264 (3).....
54969	20679	Arm Rock Shaft Oil Pad for oiling Intermediate Bearing
54988	20748	Tension (upper thread) Releasing Pin (2).....
56003	20679	Arm Oil Tube with 52045, for oiling Feed (upper) Bell Crank Connection Sleeve.....
56864	20691	Foot Lifter Chain Hook (large) for 6439.....
56864	20691	Knee Lifter Chain Hook (large) for 37563.....
56865	20691	Foot Lifter Chain Hook (small) for 6439.....
56865	20691	Knee Lifter Chain Hook (small) for 37563.....
57234	24446	Feed (lower) Rocking Frame Hinge Pin.....
57235	24446	Feed (lower) Rocking Frame Hinge Pin Bushing (2).....
57255	24443	Lifting Presser Bar for No. 147-94 Machine.....
57255	24442	Presser Bar for Nos. 147-93, 147-121 and 147-122 Machines.....

No.	Plate	Name
59343	24446	Feed (lower) Bar Hinge Pin Collar with 735AL, for 147583 (2)
59343	24446	Feed (lower) Connecting Rod Hinge Pin Collar with 735AL, for 147583
59456	24450	Thread (upper) Nipper Disc (outside) Nut Washer for 68137
59537	20748	Tension (under thread) Spring Bushing (large) (2)
59537	20748	Tension (upper thread) Spring Bushing (large) (2)
59538	20748	Tension (under thread) Spring Bushing (small) (2)
59538	20748	Tension (upper thread) Spring Bushing (small) (2)
59539		Tension (under thread) Screw Stud 50326C with 51570C (2)
59539		Tension (upper thread) Screw Stud 50326C with 51570C (2)
60220		Bench Stand Flap Hook and Eye (small) with wood screw 5/8 in. No. 4, for 135115
60656	20691	Bench Stand Hinge for 79772 (4)
62527	24453	Lifting Presser Foot Hinge Pin for 147589
62527	24453	Presser Foot Hinge Pin for 147589
64319	24444	Needle Bar (hollow) for 131045 and 131884
64356	24452	Thread (under) Take-up Thread Guard Steady Pin
68121	24453	Looper for 131852
68123	24446	Needle Guard (movable) Clamp
68129	24450	Thread (upper) Nipper Body for 68137
68130	24450	Thread (upper) Nipper Disc (inside) for 68137
68131	24450	Thread (upper) Nipper Disc (inside) Washer (fiber) for 68137
68132	24450	Thread (upper) Nipper Disc (outside) for 68137
68133	24450	Thread (upper) Nipper Roller for 68136
68134	24450	Thread (upper) Nipper Roller Hinge Pin for 68136
68135	24450	Thread (upper) Nipper Stud for 68136
68136		Thread (upper) Nipper Stud 68135 with 68133 and 68134, for 68137
68137	24450	Thread (upper) Nipper complete, Nos. 1698R, 59456, 68129, 68130, 68131, 68132, 68136 and 131977
68138	24450	Thread (upper) Nipper Thread Guide
68164	24450	Thread (upper) Take-up Plate Spring for 131335
68173	24443	Feed (upper) Bar Connecting Bracket with 140123AL, for 147591
68174	24443	Feed (upper) Bar Connecting Link for 147591
68175	24443	Feed (upper) Bell Crank for 147591
68177	24443	Feed (upper) Lifting Regulator Connecting Link for 147591
68178	24443	Feed (upper) Rock Shaft Crank (front) with 172E, for 147591
68181	24443	Lifting Presser Bar Guide Bracket (upper) with 50200C, for 147591
68184	20748	Lifting Presser Bar Lifting Lever Extension for No. 147-94 Machine
68184	20748	Presser Bar Lifting Lever Extension for Nos. 147-93, 147-121 and 147-122 Machines
68187	24442	Needle Bar Bushing (upper)
68222	20633	Belt Guard with two wood screws 1 in. No. 12
68261	20748	Tension (upper thread) Releasing Shaft Spring
68350	20679	Arm Oil Cup, for oiling Arm Rock Shaft Front Bearing
68368	24440	Cloth Plate Slide (left) for 131051
68428	20688	Arm Bottom Cover
68429	20688	Arm Bottom Cover Gasket (cork)
68433	20679	Arm Rock Shaft Bushing (back)
68435	20679	Arm Rock Shaft Bushing (back) Cap
68436	20679	Arm Rock Shaft Bushing (intermediate)
68448	20688	Arm Side Cover Gasket
68467	24446	Feed (lower) Bar Wearing Plate for 147579
68478	24447	Looper Carrier Connection Shaft Sleeve (eccentric)
68479	24447	Looper Carrier Driver with four 175E, for 147507
68483		Looper Driving Shaft and Feed Lifting Eccentric Bracket with 761E, for 147573

No.	Plate	Name
68488	24442	Needle Bar Connecting Link and Thread (upper) Controller for 131399
68489	24442	Needle Bar Connecting Link Hinge Stud (hollow) for 131399
68494	24449	Oil Pipe (back of arm) Connection with 68495 and two 198E, for oiling Feed (upper) Connecting Rod Hinge Stud for 147587
68495	24446	Feed (lower) Bar Slide Block Oil Pad (wick) for 131944
68495	24449	Oil Pipe (back of arm) Connection Oil Pad (wick) for 68494
68496	24449	Oil Pipe (back of arm) Coupling
68497	24439	Feed (lower) Connecting Rod Oil Pad (wick) for 131500
68497	24439	Feed (upper) Connecting Rod Oil Pad (wick) for 131500
68497		Looper Driving Shaft and Feed Lifting Eccentric Front Bearing Oil Pad (wick)
68497	24449	Oil Pipe (back of arm) Oil Pad (wick) for 147587 (2)
68497	24449	Oil Pipe (front of arm) Oil Pad (wick) for 131112 and 131113 (3)
68500	24449	Oil Pipe (front of arm) with 1733, 131084 and 131089, for oiling Arm Rotary Shaft Front Bearing for 131638
69353	24410	Machine Base Bolt complete, for 131919, to fasten base to table, Nos. 51428R and 126150 (4)
79772		Bench Stand with 27998, two each 41538, 126849, three wood screws 1 1/4 in. No. 12, four each 60656, wood screws 1 1/4 in. No. 10, eight wood screws 3/8 in. No. 6 and sixteen wood screws 3/8 in. No. 7, for Machine Base No. 131264 when Machine is mounted on top of table
120341	20691	Tweezers (curved) Accessories
120344	20691	Oiler (copper plated) with 120345 (Accessories)
120345	20691	Oiler Spout, 4 1/2 in. long for 120344
120440	20691	Screw Driver (large) Accessories
121108	20691	Screw Driver (small) Accessories
126150	24410	Machine Base Bolt Nut Lock Washer for 69353 (4)
126247	20691	Bench Stand Flush Bolt for 41538 (2)
126248	20691	Bench Stand Flush Bolt Plate for 41538 (2)
126249	20633	Foot Lifter Treadle for 150452
126250	20633	Foot Lifter Treadle Spring for 150452
126849	20691	Bench Stand Flap Hinge with four wood screws 3/4 in. No. 7, for 79772 (2)
126849	20691	Bench Stand Flap Hinge with four wood screws 3/8 in. No. 7 F.H., for 135115 (4)
128419	24447	Looper Carrier Connection Shaft Oil Pad (braided cotton)
131002	24449	Oil Pipe (front of arm) Connection with two 198E, for oiling Looper Carrier Connection Shaft
131003	24449	Oil Pipe (front of arm) Connection with two 198E, for 131112 and 131113 (3)
131004	24449	Oil Pipe (front of arm) Coupling (center)
131004	24449	Oil Pipe (front of arm) Coupling (left)
131011	20748	Tension (upper thread) Releasing Shaft Spring Position Plate
131012	20748	Tension (under thread) Bracket
131022	24409	Machine Base Screw Stud Bushing (rubber) for 147573 (4)
131028	24447	Looper Driving Shaft and Feed Lifting Eccentric Bushing Oil Screw Plug
131044	24445	Needle Clamp with two 1498F, for 3/16 in. to 3/8 in. gauges, for 131045
131045	24455	Needle Bar complete, for 3/16 in. to 3/8 in. gauges, for 147613, Nos. 64319 and 131044
131050	24440	Cloth Plate Slide (left) Spring for 131051
131051	24440	Cloth Plate Slide (left) complete, for 147576 and 147592, Nos. 68368, 131050 and two 6651
131056	20679	Arm Rock Shaft Adjusting Screw Washer
131084	24449	Oil Pipe (front of arm) Connection with two 198E, for 68500

No.	Plate	Name
131087	24449	Oil Pipe (front of arm) Coupling (right)
131089	24449	Oil Pipe (front of arm) Oil Pad (wick) for 68500 and 131637 (2)
131095	20679	Arm Rock Shaft Bushing (back) Cap Washer (fiber)
131112	24449	Oil Pipe (front of arm) with 68497 and 131003, for oiling Feed (lower) Bar Slide Block, for 131638
131113	24449	Oil Pipe (front of arm) with 68497 and 131003, for oiling Feed Connecting Rod, for 131638 (2)
131174	24455	Needle Guard (movable) for 3/16 in. to 3/8 in. gauges, for 147613
131188	24409	Machine Base Oil Drain Jar Clamp for 131217
131189	24409	Machine Base Oil Drain Jar Clamp Lever for 131217
131205	24409	Machine Base Screw Stud, to position machine on base, for 131264 and 131919 (4)
131217		Machine Base Oil Drain Jar Clamp 131188 with 131189, for 131268
131263	24409	Machine Base for 131264
131264	24409	Machine Base complete, for 131328, Nos. 131263, three each 9842, 51576E, 54477 and four each 131205 and 131279
131265	24409	Machine Base Oil Drain Jar Nipple (long) for 131268 (2)
131266	24409	Machine Base Oil Drain Jar Nipple (short) for 131268
131267	24409	Machine Base Oil Drain Jar Nipple Elbow for 131268 (2)
131268	24409	Machine Base Oil Drain Jar (swinging type) complete, for 131328 and 131920, Nos. 131217, 131266, 131961, 131962 and two each 1247C, 131265 and 131267
131270	24442	Needle Bar Connecting Link Hinge Stud Oil Pad (wick)
131276	20688	Arm Side Cover (oil vent) for 131911
131279	24409	Machine Cushion (felt) for 131264 and 131919 (4)
131280	20688	Arm Side Cover Cap Position Pin for 131911
131316	24453	Needle Guard (movable) for 147611
131319	20679	Arm Oil Cup Oil Pad for 68350
131328	24409	Machine Base and Oil Drain Jar (swinging type) complete, for use when Machine is mounted on top of table, for use with Bench Stand No. 79772, Nos. 131264 and 131268
131334	24450	Thread (upper) Take-up for 131335
131335	24450	Thread (upper) Take-up complete, Nos. 1449J, 54095, 68164 and 131334
131366	24439	Arm Rotary Shaft Ball Bearing (back) for 131526 (2)
131366	24439	Arm Rotary Shaft Ball Bearing (intermediate)
131369	24439	Arm Rotary Shaft Ball Bearing (back) Case Cap for 131479
131370	24439	Arm Rotary Shaft Ball Bearing (back) Case Position Stud (3)
131377	24440	Cloth Plate Slide (right) for 131384
131380	24441	Cloth Plate Slide (right) for 131387
131381	24440	Cloth Plate Slide (right) Spring for 131384 and 131387
131384	24440	Cloth Plate Slide (right) complete, for 147576, Nos. 131377, 131381 and two 665J
131387	24441	Cloth Plate Slide (right) complete, for 147592, Nos. 131380, 131381 and two 665J
131399		Needle Bar Connecting Link and Thread (upper) Controller 68488 with 68489 and 131400
131400	24442	Needle Bar Connecting Stud with 211C and 1492E, for 131399
131403	24450	Slack Thread Regulator
131404	24450	Slack Thread Regulator Holder
131405	24450	Slack Thread Regulator Holder Crank with 171AL
131406	24450	Slack Thread Regulator Holder Crank Connecting Link for Nos. 147-93, 147-121 and 147-122 Machines
131425	24455	Looper (back) for 147613

NOTE: When ordering No. 131425 state gauge of machine for which required.

No.	Plate	Name
131426	24455	Looper (front) for 147613
		NOTE: When ordering No. 131426 state gauge of machine for which required.
131456	20679	Arm Rock Shaft Flanged Bushing (front)
131457	24439	Arm Rotary Shaft Bushing (front)
131469	24455	Feeding Foot Shank for 147605
131478	24439	Arm Rotary Shaft Ball Bearing (back) Case for 131479
131479		Arm Rotary Shaft Ball Bearing (back) Case 131478 with 131369 and three 205C, for 131526
131480	24439	Arm Rotary Shaft Ball Bearing (back) Spacing Collar for 131526
131481	24439	Arm Rotary Shaft Ball Bearing (intermediate) Case
131482	24439	Arm Rotary Shaft Ball Bearing (intermediate) Collar with two 457AL
131486	24439	Arm Rock Shaft Crank, back (ball bearing, solid) with two 50083AL, for 131931
131500	24439	Feed (lower) Connecting Rod with 1057AL, 68497, 134260 and two 896AL, for 131502
131500	24439	Feed (upper) Connecting Rod with 1057AL, 68497, 134260 and two 896AL, for 131617
131502		Feed (lower) Connecting Rod 131500 with 54025, for 147575
131526		Arm Rotary Shaft Ball Bearing (back) Case with Ball Bearings complete, Nos. 131479, 131480 and two 131366
131579	24448	Looper Holder Body for 131580
131580	24448	Looper Holder Body 131579 with 452AL and 1120AL, for 147613
131606	24440	Cloth Plate with 54309, for 147576 and 147592
131610	24440	Cloth Plate Thread Guard
131617		Feed (upper) Connecting Rod 131500 with 54456, for 147575
131618	24446	Feed (upper) Connecting Rod Crank with two 140123AL
131619	24446	Feed (upper) Connecting Rod Hinge Stud
131621	24442	Feed (upper) Bell Crank Connection with 140268AL
131622	24442	Feed (upper) Bell Crank Connection Sleeve
131623	20679	Feed (upper) Bell Crank Connection Sleeve Slide Block for 131694
131624	24446	Feed (upper) Rock Shaft Pitman
131625	24446	Feed (upper) Rock Shaft Pitman Crank with two 50200C
131626	24446	Feed (upper) Rock Shaft Pitman Crank Shaft
131627	24446	Feed (upper) Rock Shaft Pitman Crank Shaft Bracket
131629	24443	Lifting Presser Bar Bushing (lower) for No. 147-94 Machine
131629	24442	Presser Bar Bushing (lower) for Nos. 147-93, 147-121 and 147-122 Machines
131630	24443	Lifting Presser Bar Lifting Bracket with 453AL, for No. 147-94 Machine
131630	24442	Presser Bar Lifting Bracket with 453AL, for Nos. 147-93, 147-121 and 147-122 Machines
131631	24443	Lifting Presser Bar Lifting Bracket Guide for No. 147-94 Machine
131631	24442	Presser Bar Lifting Bracket Guide for Nos. 147-93, 147-121 and 147-122 Machines
131632	20748	Lifting Presser Bar Lifting Lever for No. 147-94 Machine
131632	20748	Presser Bar Lifting Lever for Nos. 147-93, 147-121 and 147-122 Machines
131637	24449	Oil Pipe (front of arm) with 131089 and two 1733, for oiling Looper Driving Shaft and Feed Lifting Eccentric Front Bearing, for 131638
131638		Oil Pipe (front of arm) complete, Nos. 68500, 131112, 131637 and two 131113
131639	24451	Slack Thread Regulator Holder Crank Connecting Link for No. 147-94 Machine

No.	Plate	Name
131647	24442	Feed (upper) Bar Connecting Link (upper) for 147585.....
131648	24442	Feed (upper) Bar Connecting Link (upper) Cushion (textolite) for 131690.....
131649	24442	Feed (upper) Bar Lifting Bracket with 1250AL.....
131650	24442	Feed (upper) Bar Spring Thimble for 131690.....
131651	24442	Feed (upper) Bell Crank for 131690.....
131690		Feed (upper) Bell Crank 131651 with 131648, 131650, 140173C and 192274, for 147585.....
131693	20679	Arm Rock Shaft and Front Crank with 853AL, for 131694....
131694		Arm Rock Shaft 131693 with 50328C, 131623 and two each 914J and 131695.....
131695	20679	Feed (upper) Bell Crank Connection Sleeve Slide Block Clamping Washer for 131694 (2).....
131696	20748	Tension (under thread) Thread Guide (2).....
131696	20748	Tension (upper thread) Thread Guide (2).....
131730	24446	Feed (lower) Bar Feed Dog Seat (adjustable) with 460AL, for 147579.....
131735	24443	Face Plate for No. 147-94 Machine.....
131739	24442	Needle Bar (hollow) with 857AL, for 147611.....
131740	20748	Tension (under thread) Spring (2).....
131741	20748	Tension (upper thread) Spring (2).....
131749	20688	Lifting Presser Bar Spring for 131830 and 131851.....
131749	20688	Presser Bar Spring for 131830 and 131851.....
131750	20688	Lifting Presser Bar Spring (auxiliary) for 131830.....
131750	20688	Presser Bar Spring (auxiliary) for 131830.....
131751	20688	Lifting Presser Bar Spring Screw Stud for 131830 and 131851.....
131751	20688	Presser Bar Spring Screw Stud for 131830 and 131851.....
131752	20688	Pressure Regulating Thumb Nut Washer for 131830.....
131830	20688	Lifting Presser Bar Spring complete, for No. 147-94 Machine, Nos. 1637J, 51697W, 131749, 131750, 131751 and 131752.....
131830	20688	Presser Bar Spring complete, for Nos. 147-93, 147-121 and 147-122 Machines, Nos. 1637J, 51697W, 131749, 131750, 131751 and 131752.....
131851	20688	Lifting Presser Bar Spring (less auxiliary spring) complete, for No. 147-94 Machine, Nos. 1637J, 42290K, 51697W, 131749 and 131751.....
131851	20688	Presser Bar Spring (less auxiliary spring) complete, for Nos. 147-93, 147-121 and 147-122 Machines, Nos. 1637J, 42290K, 51697W, 131749 and 131751.....
131852	24453	Looper 68121 with 229E and 131853, for 147611.....
131853	24453	Looper Needle Guard with 46105, for 131852 and 131879.....
131860	24453	Lifting Presser Foot Shank for 147589.....
131860	24453	Presser Foot Shank for 147589.....
131864	24439	Arm Oil Cup for 131866.....
131865	24439	Arm Oil Cup Oil Gauge for 131866.....
131866	24439	Arm Oil Cup with Oil Gauge complete, for filling Oil Reservoir, Nos. 131864 and 131865.....
131878	24454	Looper with 590J and 38393, for 131879.....
131879	24454	Looper 131878 with 229E and 131853, for 147612.....
131882	24447	Looper Carrier Connection Shaft Sleeve Collar with 50597C and two 443AL.....
131884	24454	Needle Bar complete, for 3/16 in. and 1/4 in. gauges for 147612, Nos. 64319 and 131886.....
131886	24444	Needle Clamp with two 50379F, for 3/16 in. and 1/4 in. gauges, for 131884.....
131888	24450	Slack Thread Controller.....
131909	20688	Arm Side Cover Cap for 131911.....
131910	20688	Arm Side Cover Cap Spring for 131911.....
131911	20688	Arm Side Cover (oil vent) complete, Nos. 1289X, 131276, 131280, 131909 and 131910.....
131914	24439	Machine Driving Pulley (outside diam. of belt groove 2.9 in.) with two 51283AL, for "V" Belt.....

No.	Plate	Name
131918	24410	Machine Base for 131919.....
131919	24410	Machine Base complete, for 131920, Nos. 131918 and four each 69353, 131205 and 131279.....
131920	24410	Machine Base and Oil Drain Jar (swinging type) complete, for use when Machine is mounted semi-submerged, for use with Bench Stand No. 135115, Nos. 131268 and 131919.....
131926	24439	Crank Connecting Rod with two each 1057AL, 51715AL, 131927 and 131928, for 131931.....
131927	24439	Crank Connecting Rod Cap (lower) Screw Stud for 131926 (2)
131928	24439	Crank Connecting Rod Cap (lower) Screw Stud Nut Lock Washer for 131926 (2).....
131931		Crank Connecting Rod 131926 with 131486, for 147575.....
131943	24446	Feed (lower) Bar Slide Block for 131944.....
131944	24446	Feed (lower) Bar Slide Block 131943 with 68495 and 134260.....
131959	24447	Looper Driving Shaft and Feed Lifting Eccentric Bushing.....
131961	24409	Machine Base Oil Drain Jar (glass) for 131268.....
131962	24409	Machine Base Oil Drain Jar Cap for 131268.....
131970	24439	Thread (under) Nipper Cam with 465AL.....
131972	24439	Thread (under) Take-up Thread Guard.....
131977	24450	Thread (upper) Nipper Stud Spring for 68137.....
134260	24446	Feed (lower) Bar Slide Block Oil Pad Retainer for 131944.....
134260	24439	Feed (lower) Connecting Rod Oil Pad Retainer for 131500.....
134260	24439	Feed (upper) Connecting Rod Oil Pad Retainer for 131500.....
135115		Bench Stand with 2799B, 60220 and four each 126849 with wood screws 5/8 in. No. 7 F.H. (in place of wood screws 3/4 in. No. 7 F.H.) and wood screws 1 1/2 in. No. 10 F.H., for use with Machine Base No. 131919 when machine is mounted semi-submerged.....
138306		Feed (lower) Eccentric Lubricating Pad (wood) for 54025.....
138306		Feed (upper) Eccentric Lubricating Pad (wood) for 54456.....
139017	20688	Arm Hole Plug Screw Washer.....
140123AL	24443	Feed (upper) Bar Connecting Bracket Set Screw for 68173.....
140123AL	24446	Feed (upper) Connecting Rod Crank Set Screw for 131618 (2)
140173C	24442	Feed (upper) Bar Spring Cap Screw for 131690.....
140219C	20633	Knee Lifter Rock Shaft Stop Dog Set Screw for 2770.....
140268AL	24442	Feed (upper) Bell Crank Connection Clamping Screw for 131621.....
140275J	24446	Feed Dog Screw.....
140652C	24454	Presser Foot Shank Hinge Screw for 147601 (2).....
147506	24447	Looper Driving Shaft and Feed Lifting Eccentric for 147507.....
147507		Looper Driving Shaft and Feed Lifting Eccentric 147506 with 54027, 54227, 54228 and 68479, for 147575.....
147560	24443	Feed (upper) Lifting Regulator for 147591.....
147562	24449	Oil Pipe (back of arm) Clamp.....
147563	24449	Oil Pipe (back of arm) Clamping Plate.....
147564	24449	Oil Pipe (back of arm) Clamping Plate Bracket.....
147565	24453	Feed Dog, 15 teeth (10 teeth to the inch) for 147611.....
147566	24453	Throat Plate for lap seam felling and Automobile Upholstery work for 147611.....
147567		Throat Plate for plain sewing for Nos. 147-93 and 147-94 Machines.....
*147573		Arm, upper and lower (solid) with 51422J, 68483 and four 131022.....
147574	24439	Arm Rotary Shaft for 147575.....
147575		NOTE: When No. 147574 is required for repairs, the Looper Driving Shaft and Feed Lifting Eccentric must be returned to the fac- tory to be adjusted to the new part. Arm Rotary Shaft 147574 with 640E, 131502, 131617, 131931 and 147507.....
147576	24440	Cloth Plate complete, for Nos. 147-93 and 147-94 Machines, Nos. 131051, 131384 and 131606.....

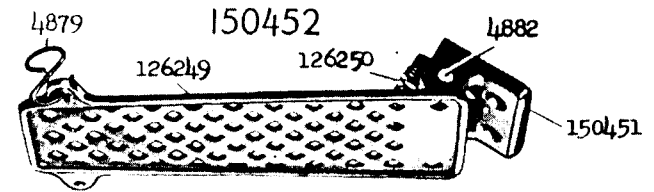
NUMERICAL LIST OF PARTS

No.	Plate	Name
147577	24442	Face Plate with 13862, for Nos. 147-93, 147-121 and 147-122 Machines.
147578	24446	Feed (lower) Bar with two 456AL, for 147579.
147579	-----	Feed (lower) Bar with Feed Dog Leveling Device complete, for 147583, Nos. 190J, 22436, 68467, 131730, 147578 and two 207E.
147580	24446	Feed (lower) Bar Hinge Pin for 147583.
147581	24446	Feed (lower) Connecting Rod Hinge Pin (eccentric) for 147583.
147582	24446	Feed (lower) Rocking Frame with two 453AL, for 147583.
147583	-----	Feed (lower) Rocking Frame 147582 with 147579, 147580, 147581 and three 59343.
147584	24442	Feed (upper) Bar for 147585.
147585	-----	Feed (upper) Bar 147584 with 199D, 52595, 54143, 131647, 131690 and three 1423W, for Nos. 147-93, 147-121 and 147-122 Machines.
147586	24453	Feeding Foot for 147611.
147587	24449	Oil Pipe (back of arm) with 1733, 68494 and two 68497, for oiling Feed (lower) Rocking Frame Hinge Pin Front Bearing.
147588	24453	Lifting Presser Foot Plate for 147589.
147588	24453	Presser Foot Plate for 147589.
147589	24453	Lifting Presser Foot (hinged) complete, for 147611, Nos. 62527, 131860 and 147588.
147589	24453	Presser Foot (hinged) complete, for 147611, Nos. 62527, 131860 and 147588.
147590	24443	Feed (upper) Bar for 147591.
147591	-----	Feed (upper) Bar 147590 with 1194C, 1283C, 1708J, 1749C, 9525, 68173, 68174, 68175, 68177, 68178, 68181, 147560 and four 1239F, for No. 147-94 Machine.
147592	24441	Cloth Plate complete, for Nos. 147-121 and 147-122 Machines, Nos. 131051, 131387 and 131606.
147593	24454	Feed Dog, 14 teeth (10 teeth to the inch) for 147602, for 3/16 in. and 1/4 in. gauges, for 147612.
147594	24454	Feeding Foot Plate for 147596.
147595	24454	Feeding Foot Shank for 147596.
147596	24454	Feeding Foot (hinged) complete, for 147612, Nos. 8282, 147594, 147595 and two 51307C, for 3/16 in. and 1/4 in. gauges.
147597	24454	Needle Guard (movable) for 3/16 in. and 1/4 in. gauges, for 147612.
147598	-----	Presser Foot Hinge Connection for 147601.
147599	24454	Presser Foot Plate for 147601.
147600	24454	Presser Foot Shank for 147601.
147601	24454	Presser Foot (double hinged) complete, for 147612, Nos. 8282, 26276, 147598, 147599, 147600 and two 140652C, for 3/16 in. and 1/4 in. gauges.
147602	24454	Throat Plate for 3/16 in. and 1/4 in. gauges, for 147612.
147603	24455	NOTE: When ordering Throat Plate, state gauge required. Feed Dog, 15 teeth (10 teeth to the inch) for 3/16 in., 1/4 in. and 5/16 in. gauges, for 147613.
147604	24455	Feeding Foot Plate for 147605.
147605	24455	Feeding Foot (hinged) complete, for 3/16 in., 1/4 in., 5/16 in. and 3/8 in. gauges for 147613, Nos. 8282, 131469, 147604 and two 51307C.
147606	24455	Presser Foot for 3/16 in. to 3/8 in. gauges, for 147613.
147607	24455	Throat Plate for 3/16 in., 1/4 in. and 5/16 in. gauges, for 147613.
147611	24453	NOTE: When ordering Throat Plate, state gauge required. Set of Fittings complete, for Nos. 147-93 and 147-94 Machines, for Awnings, Tarpaulins, Automobile Work, etc., Nos. 131316, 131739, 131852, 147565, 147566, 147586 and 147589.
		NOTE: No. 147611 is regularly furnished with Nos. 147-93 and 147-94 Machines, unless otherwise specified on order.

NUMERICAL LIST OF PARTS

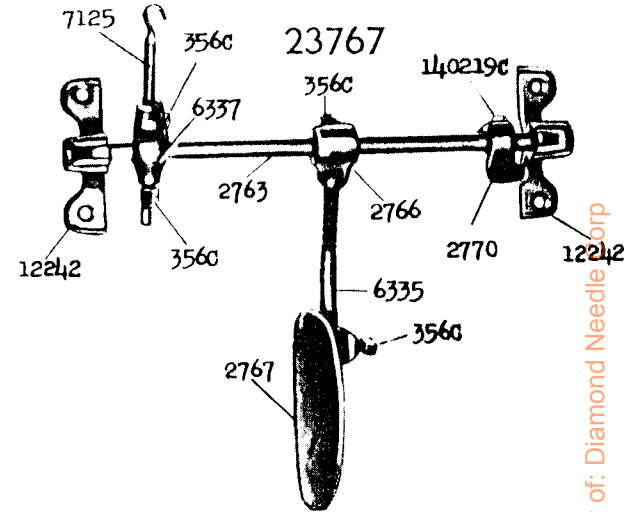
No.	Plate	Name
147612	24454	Set of Fittings complete, for No. 147-121 Machine, for Seam Covering, for French Seaming on Automobile work, for 3/16 in. and 1/4 in. gauges, Nos. 131879, 131884, 147593, 147596, 147597, 147601 and 147602.
147613	24455	Set of Fittings complete, for No. 147-122 Machine, for Awnings, Tarpaulins, Automobile Work, etc., for 3/16 in., 1/4 in. and 5/16 in. gauges, Nos. 131045, 131174, 131425, 131426, 131580, 147603, 147605, 147606 and 147607.
150058	24457	Thread Unwinder Thread Separator for 150061.
150060	24456	Thread Unwinder Thread Separator Bracket Arm with 164J and 9525, for 150061 and 150087.
150061	-----	Thread Unwinder Thread Separator complete, for 150062 and 150178, Nos. 164J, 9525, 150058 and 150060.
150062	24458	Thread Unwinder complete, for four spools, for No. 147-122 Machine, Nos. 150061, 201696J, 225324, 225326, 225388, 259658, two 225257, three wood screws 7/8 in. No. 12 and four each 150203 and 225391.
150086	24456	Thread Unwinder Thread Separator for 150087.
150087	-----	Thread Unwinder Thread Separator complete, for 150088, Nos. 164J, 9525, 150060 and 150086.
150088	24456	Thread Unwinder complete, for two spools, for Nos. 147-93 and 147-94 Machines, Nos. 150087, 201696J, 225257, 225324, 225326, 225388, 259658, two each 150203, 225391 and three wood screws 7/8 in. No. 12.
150178	24457	Thread Unwinder complete, for three spools, for No. 147-121 Machine, Nos. 150061, 201696J, 225257, 225259, 225324, 225326, 225388, 259658 and three each 150203, 225391 and wood screws 7/8 in. No. 12.
150203	24456	Thread Unwinder Spool Rest Cushion (felt) for 150062, 150088 and 150178.
150451	20633	Foot Lifter Treadle Stand for 150452.
150452	20633	Foot Lifter Treadle complete, Nos. 4879, 4882, 126249, 126250, 150451 and two wood screws 1 in. No. 16 F.H.
164197	20691	Wrench for 51715 (not regularly furnished).
168210	24442	Needle Bar Bushing (lower).
192274	24442	Feed (upper) Bar Spring for 131690.
200383C	24456	Thread Unwinder Spool Rest Rod Set Screw for 259658.
201018C	24456	Thread Unwinder Spool Rest Set Screw for 225257 and 225259.
201528X	-----	Thread Unwinder Spool Pin Nut for 225257 and 225259.
201696J	24456	Thread Unwinder Thread Guide Lock Nut for 150062, 150088 and 150178.
225257	24456	Thread Unwinder Spool Rest (for two spools) with 201018C and two each 201528X, 228692 and 228693, for 150062, 150088 and 150178.
225259	24457	Thread Unwinder Spool Rest (for one spool) with 201018C, 201528X, 228692 and 228693 for 150178.
225322	24456	Thread Unwinder Thread Guide Rod Washer for 225324.
225324	24456	Thread Unwinder Thread Guide Rod with 208AL and 225322, for 150062, 150088 and 150178.
225326	24456	Thread Unwinder Thread Guide Position Cup for 150062, 150088 and 150178.
225388	24456	Thread Unwinder Spool Rest Rod for 150062, 150088 and 150178.
225390	24456	Thread Unwinder Thread Cone Holder, for inverted cones.
225391	24456	NOTE: No. 225390 is used with, but not included in 150062, 150088 or 150178. Thread Unwinder Thread Guide for 150062, 150088 and 150178.
228692	-----	Thread Unwinder Spool Pin for 225257 and 225259.
228693	-----	Thread Unwinder Spool Pin Washer for 225257 and 225259.
259658	24456	Thread Unwinder Spool Stand with 200383C, for 150062, 150088 and 150178.

20633 - 1/4

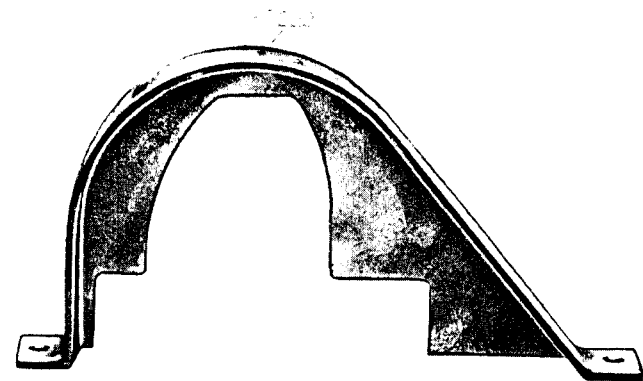


SINGER Needles should be used
in SINGER Machines
These Needles and their Containers
are marked with the
Company's Trade Mark "SIMANCO.**" 1

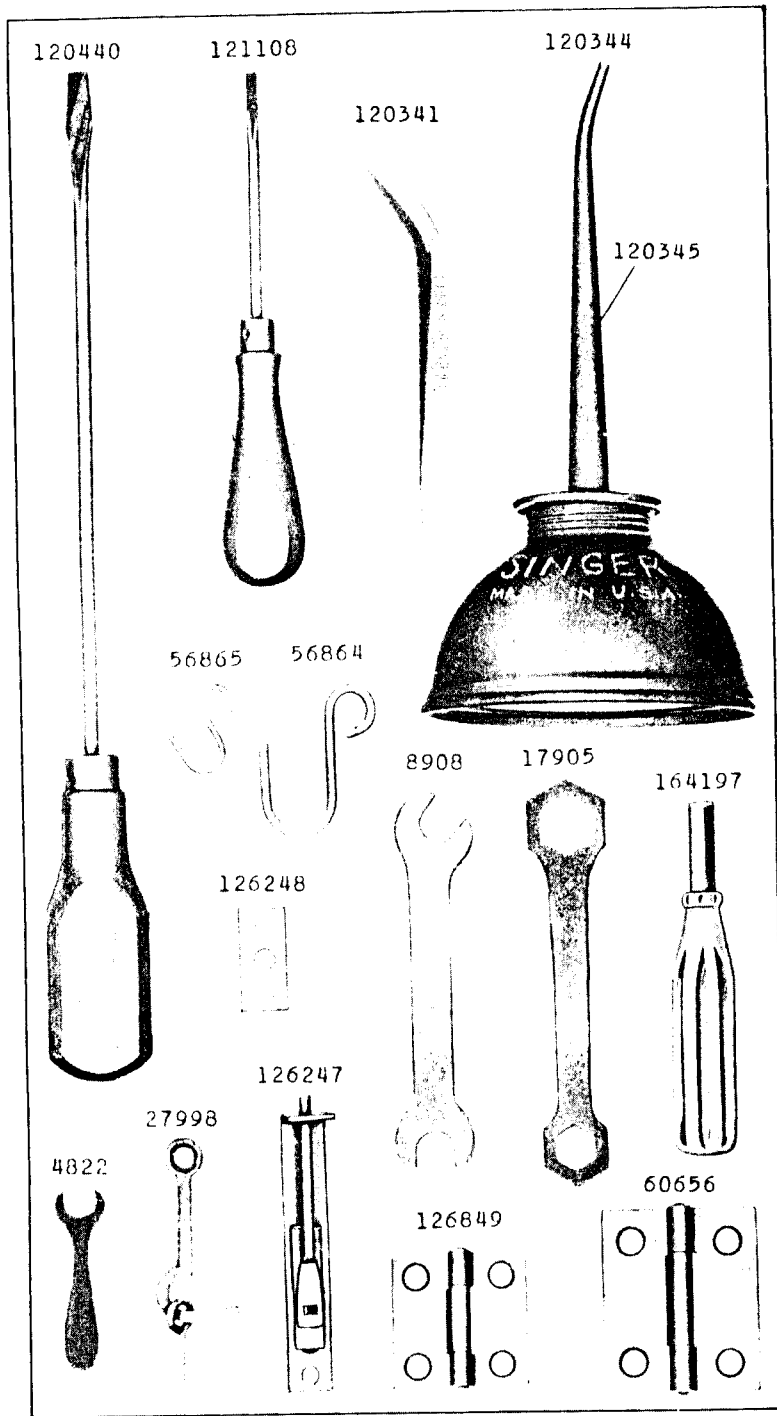
Needles in Containers marked
"FOR SINGER MACHINES"
are NOT SINGER made needles. 2



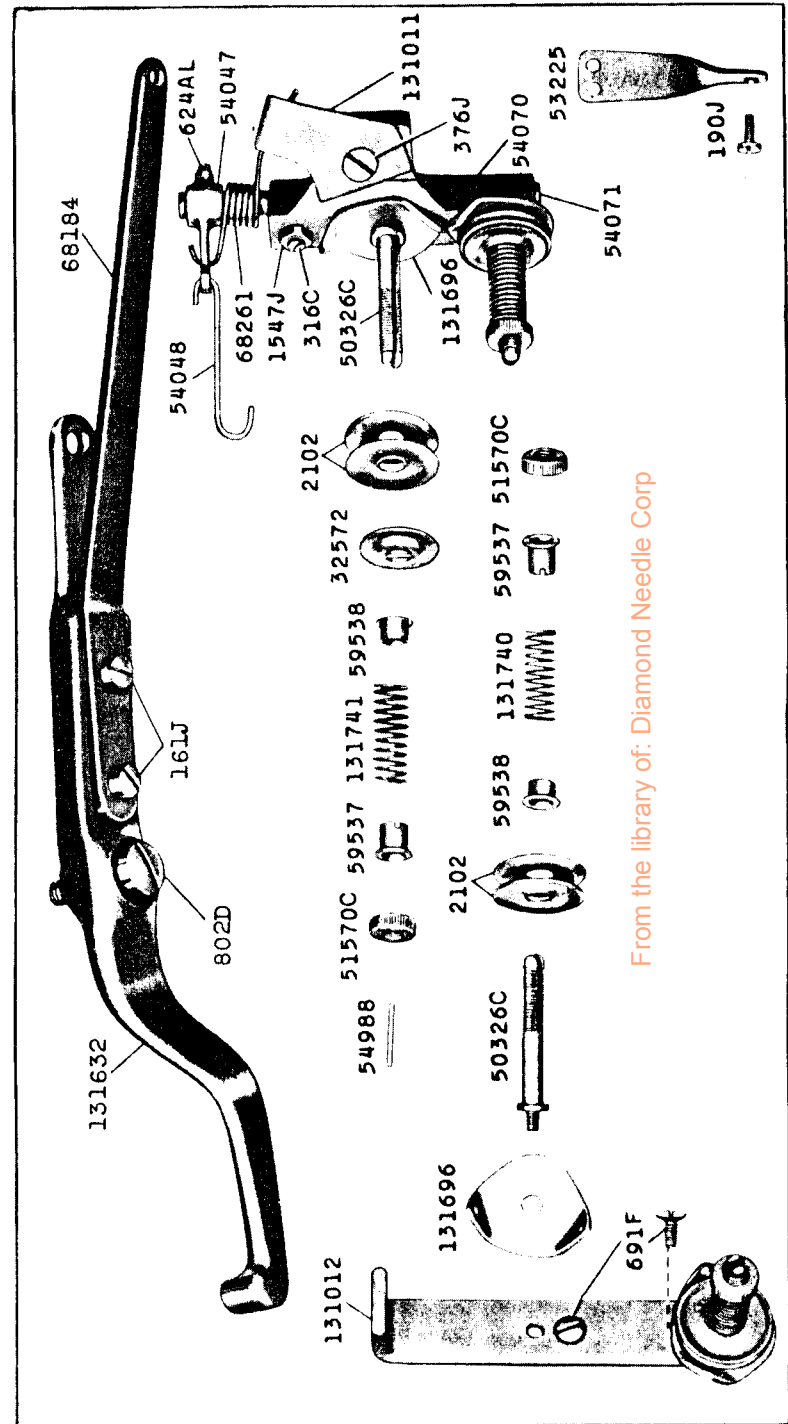
From the library of: Diamond Needle Corp



20691 - 1/2

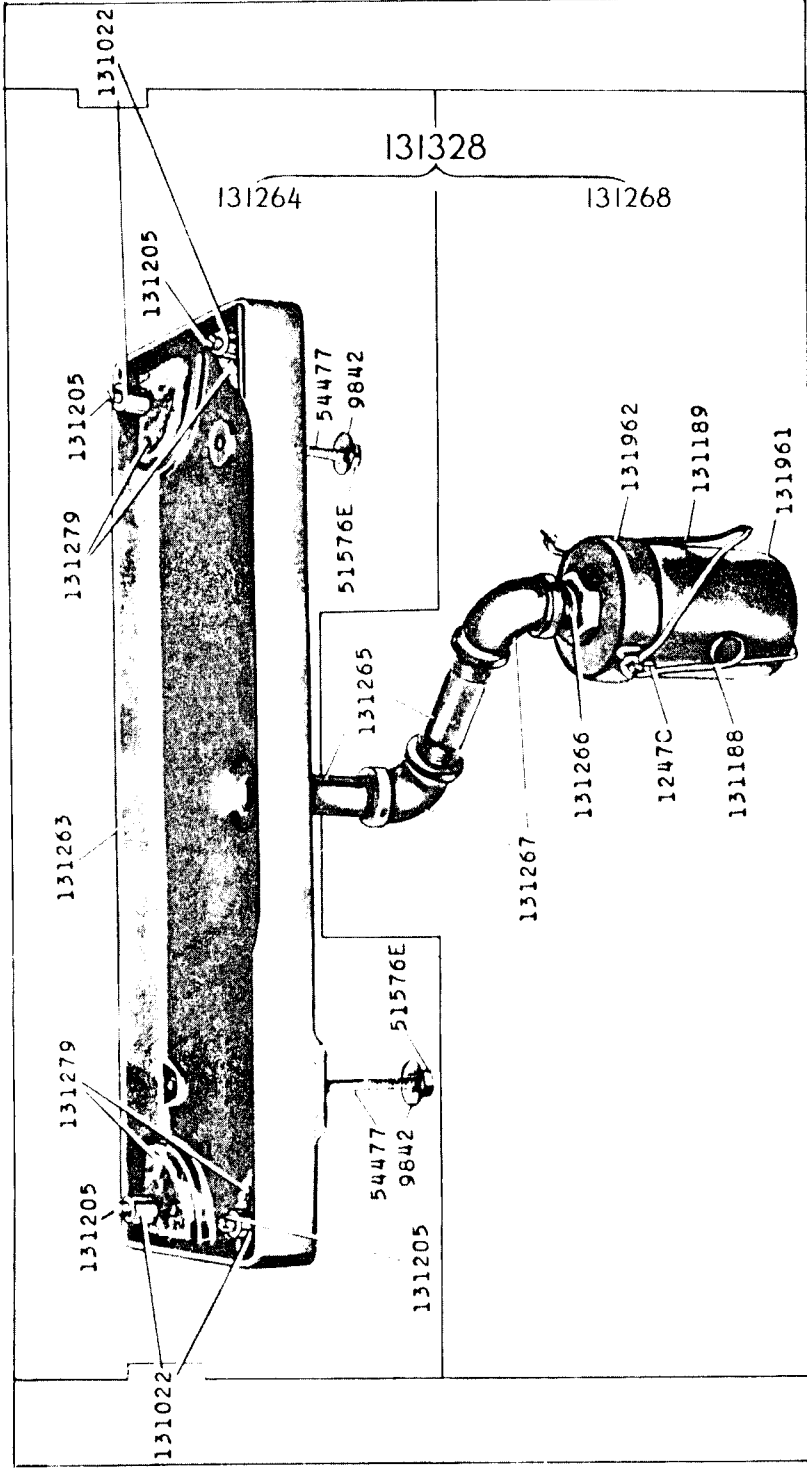


20748 - 1/2

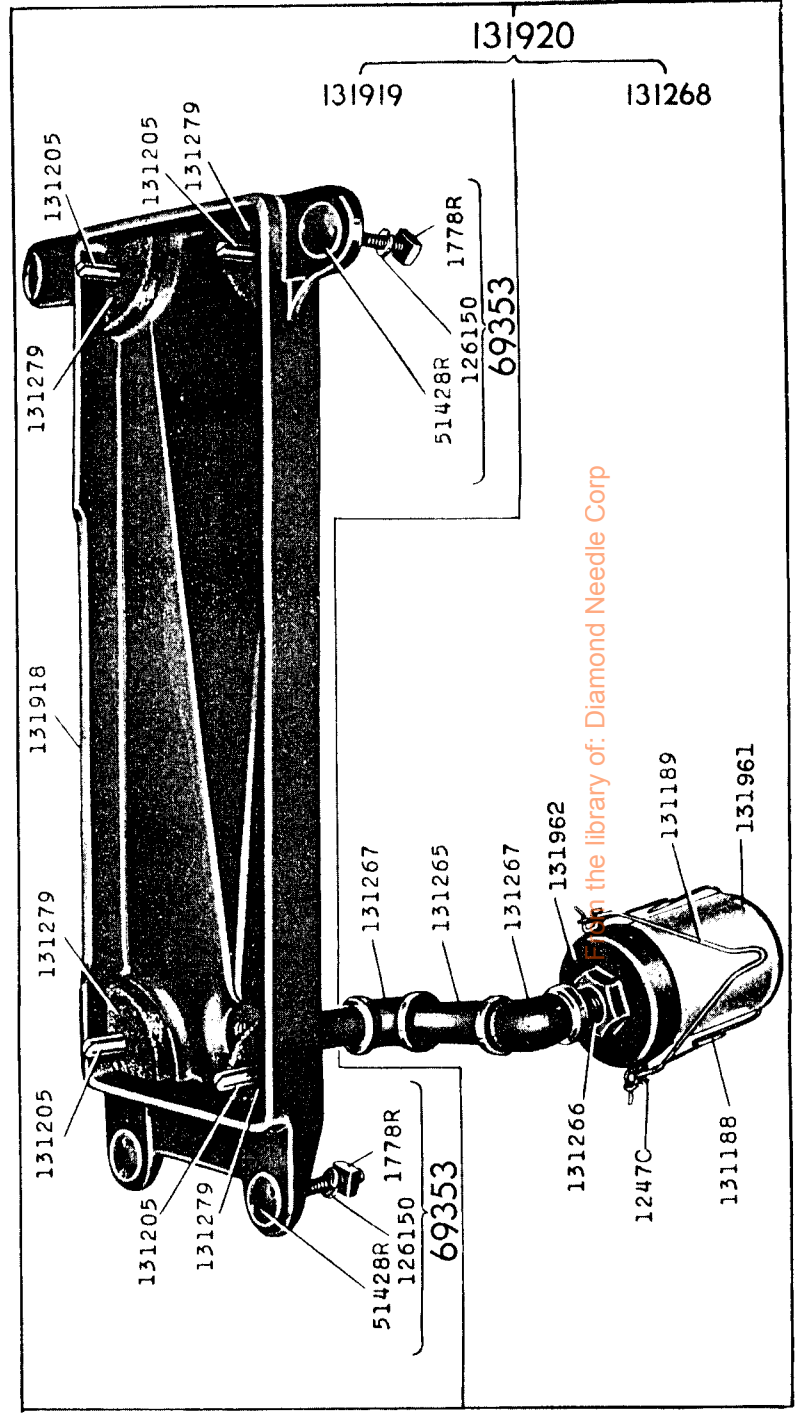


From the library of: Diamond Needle Corp

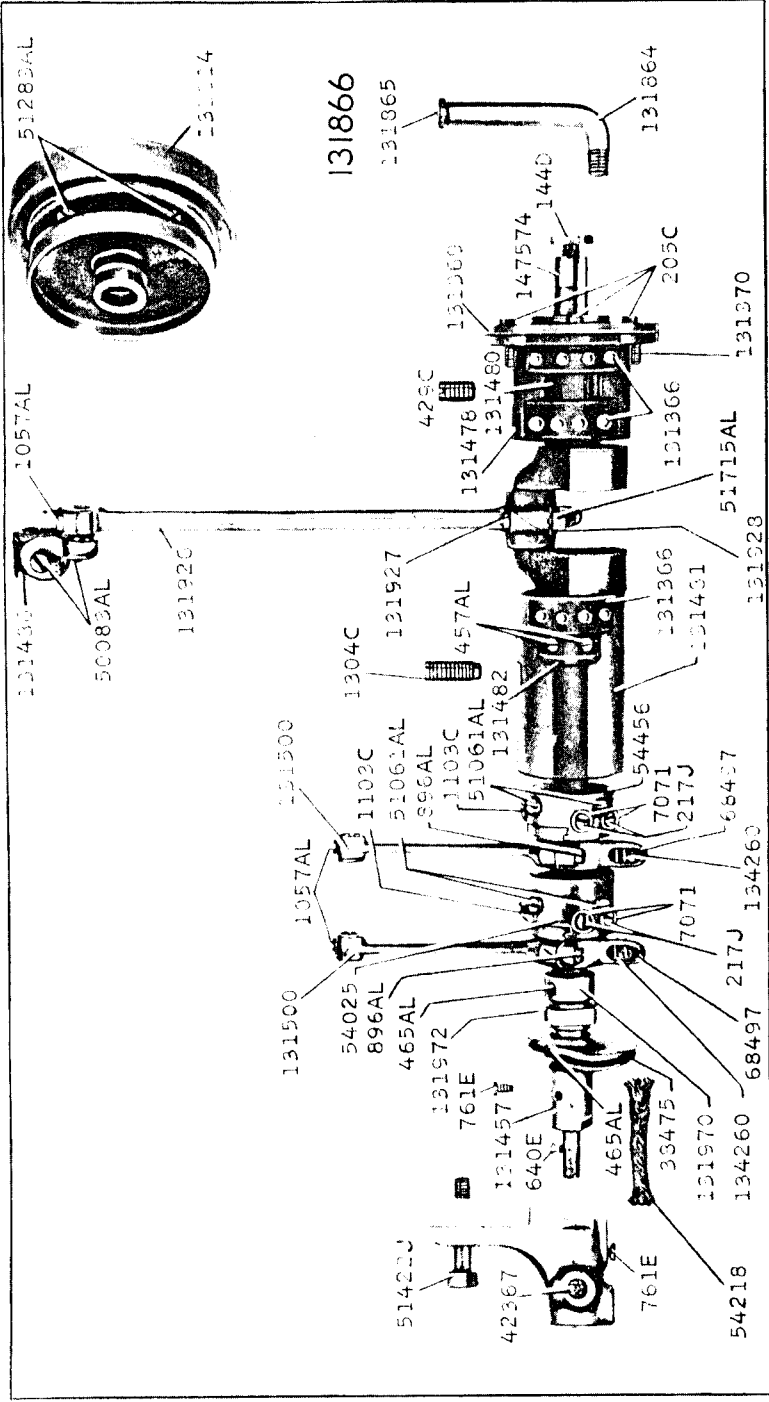
24409 - 1/4



24410 - 1/4

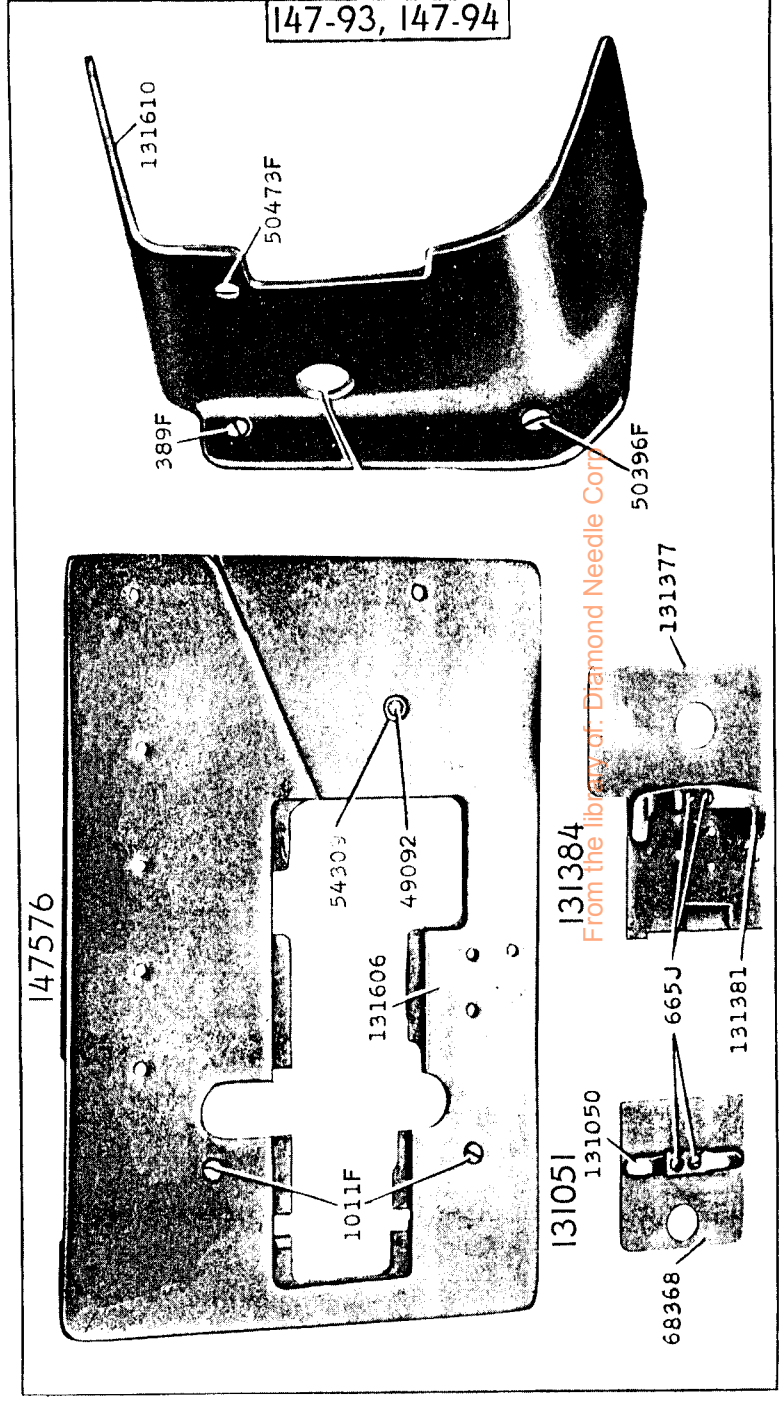


24439-1/3



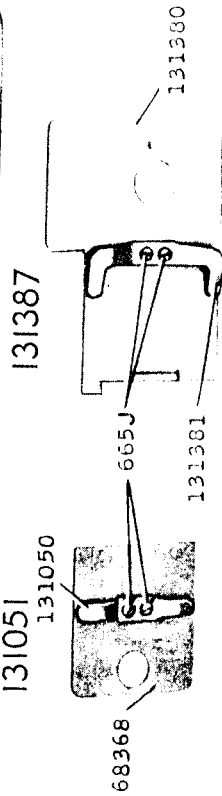
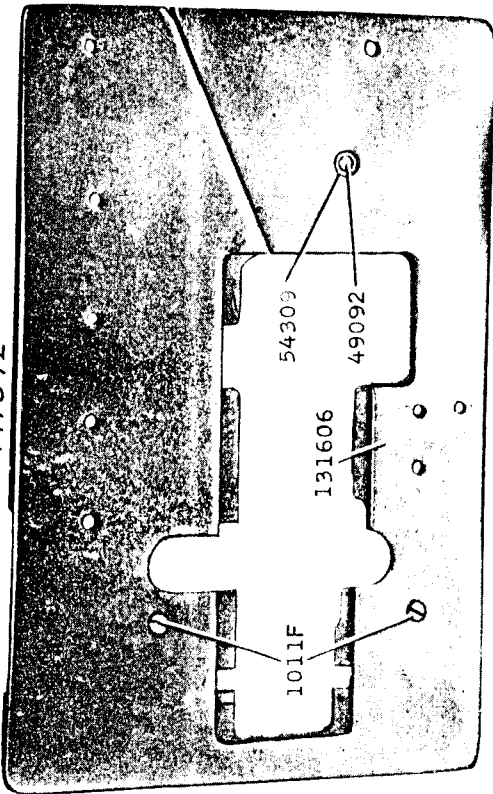
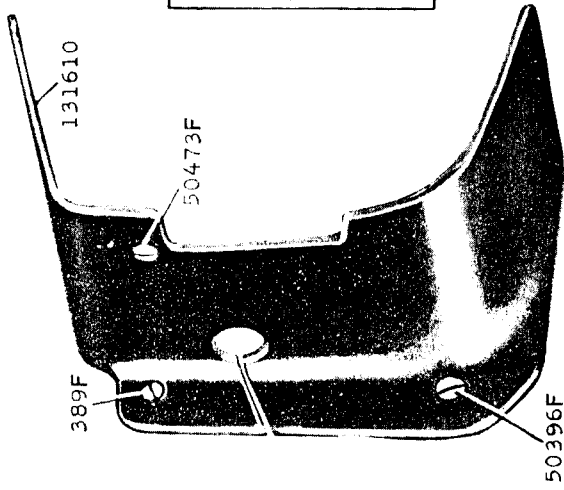
24440-1/3

147-93, 147-94



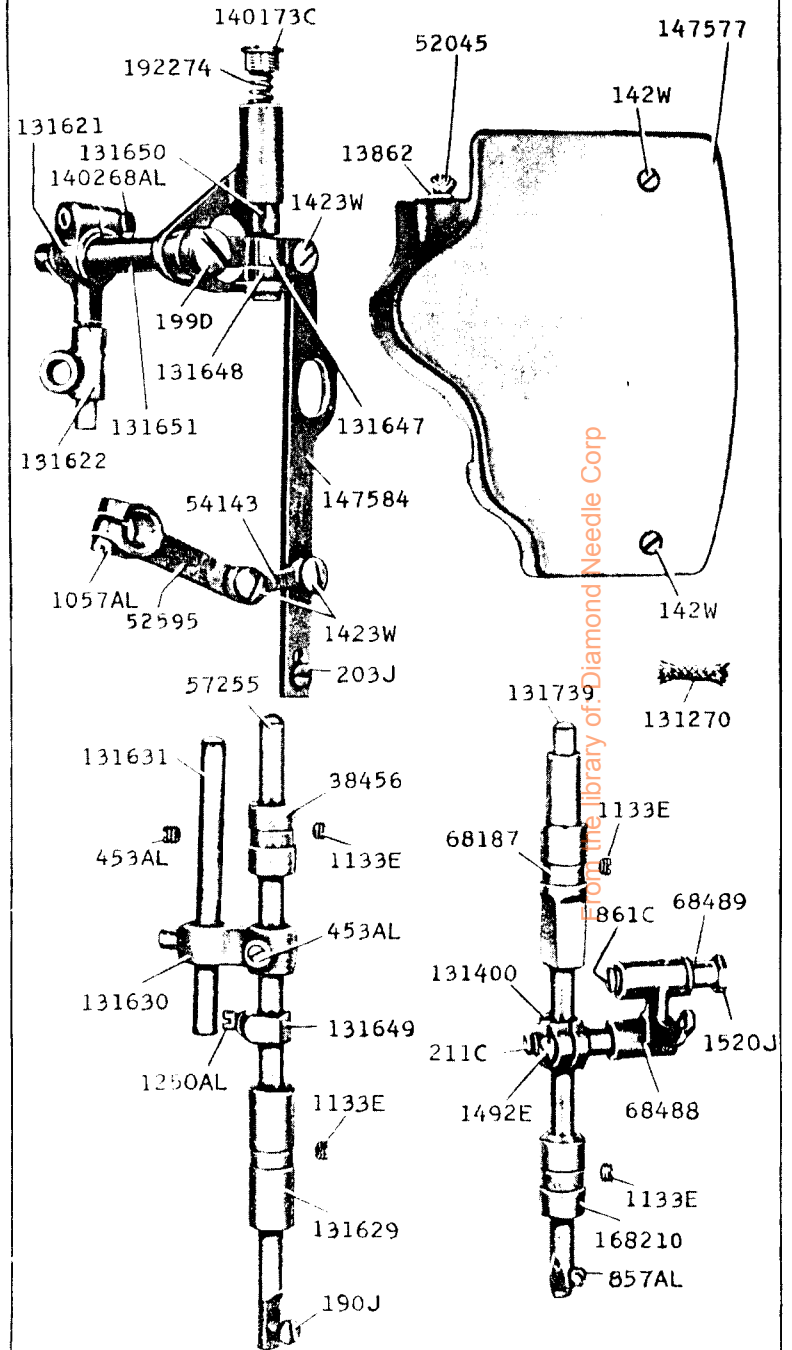
24441-1/3

147-121, 147-122



24442-1/2

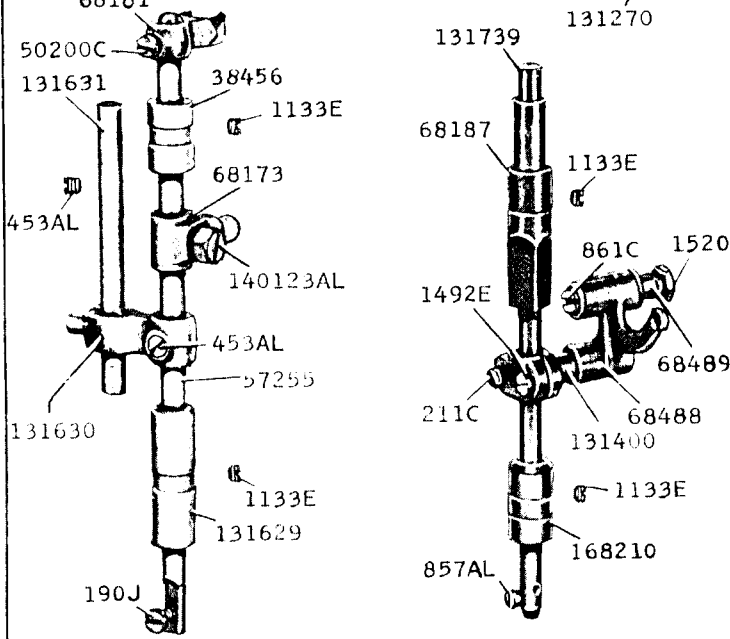
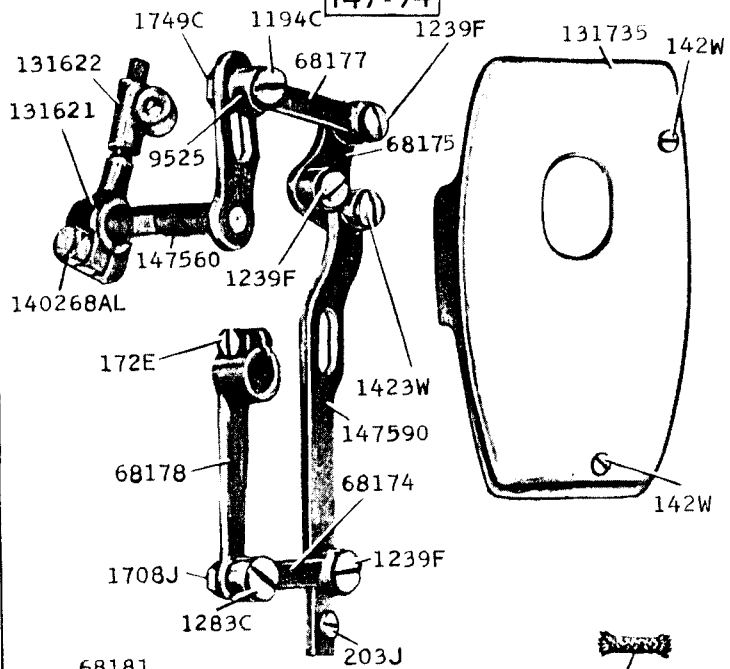
147-93



From the library of Diamond Needle Corp

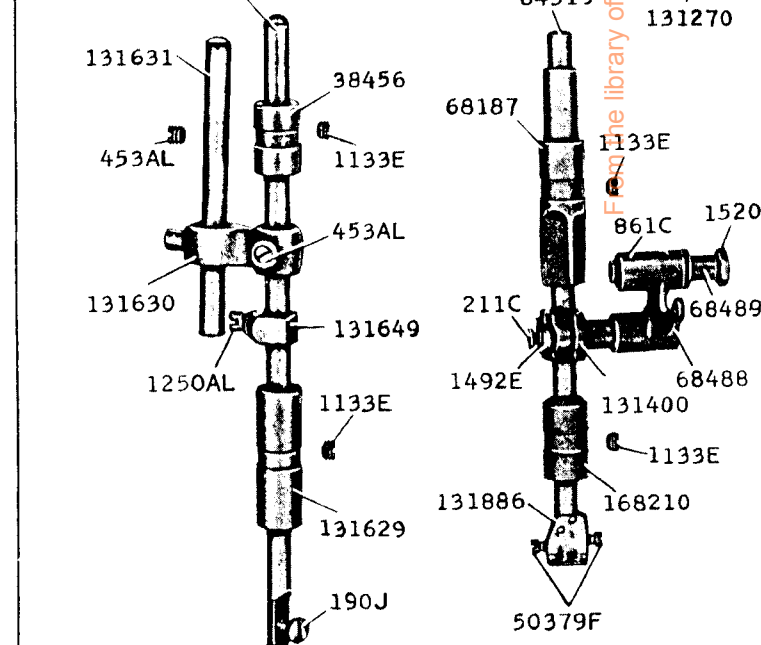
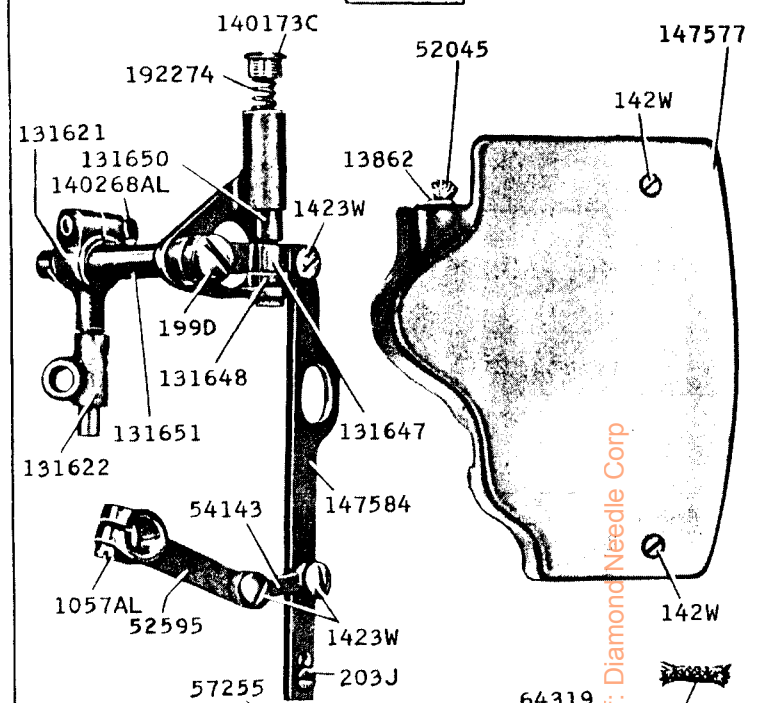
24443-1/2

147-94



24444-1/2

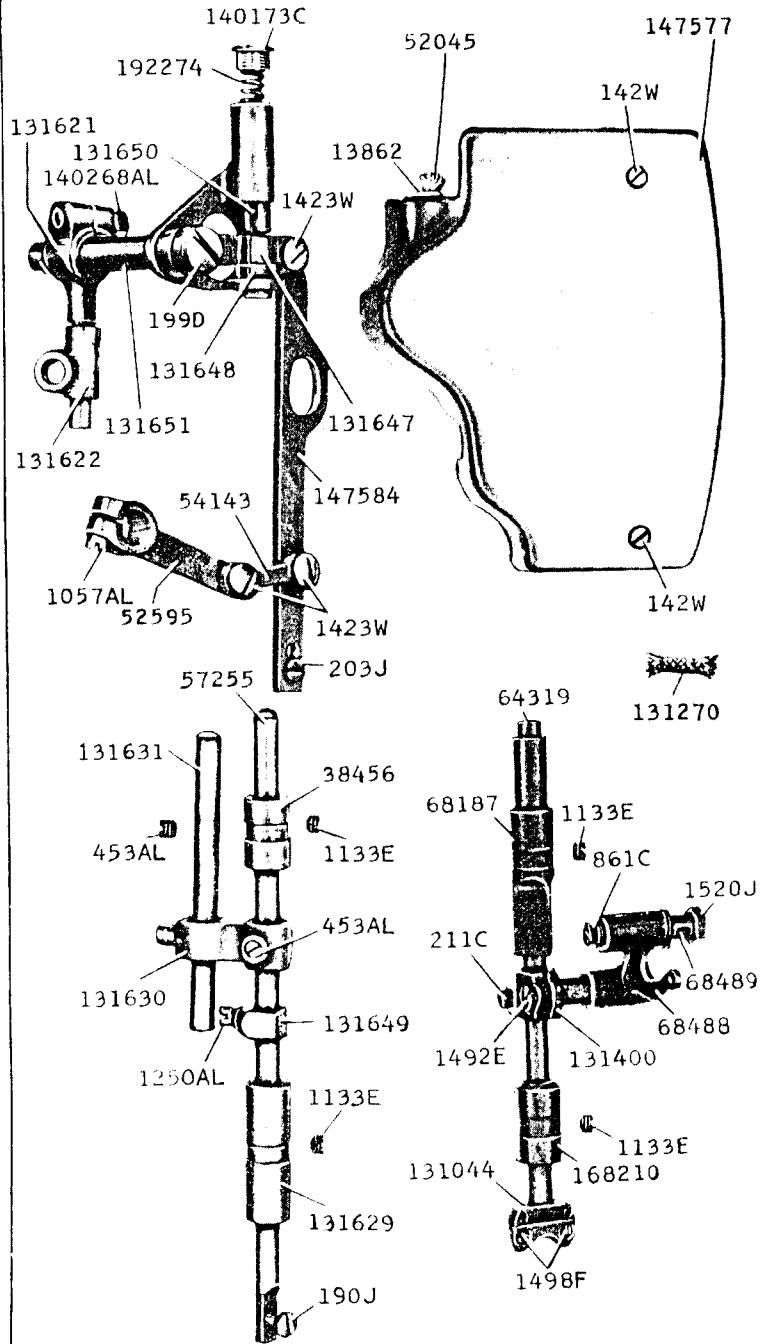
147-121



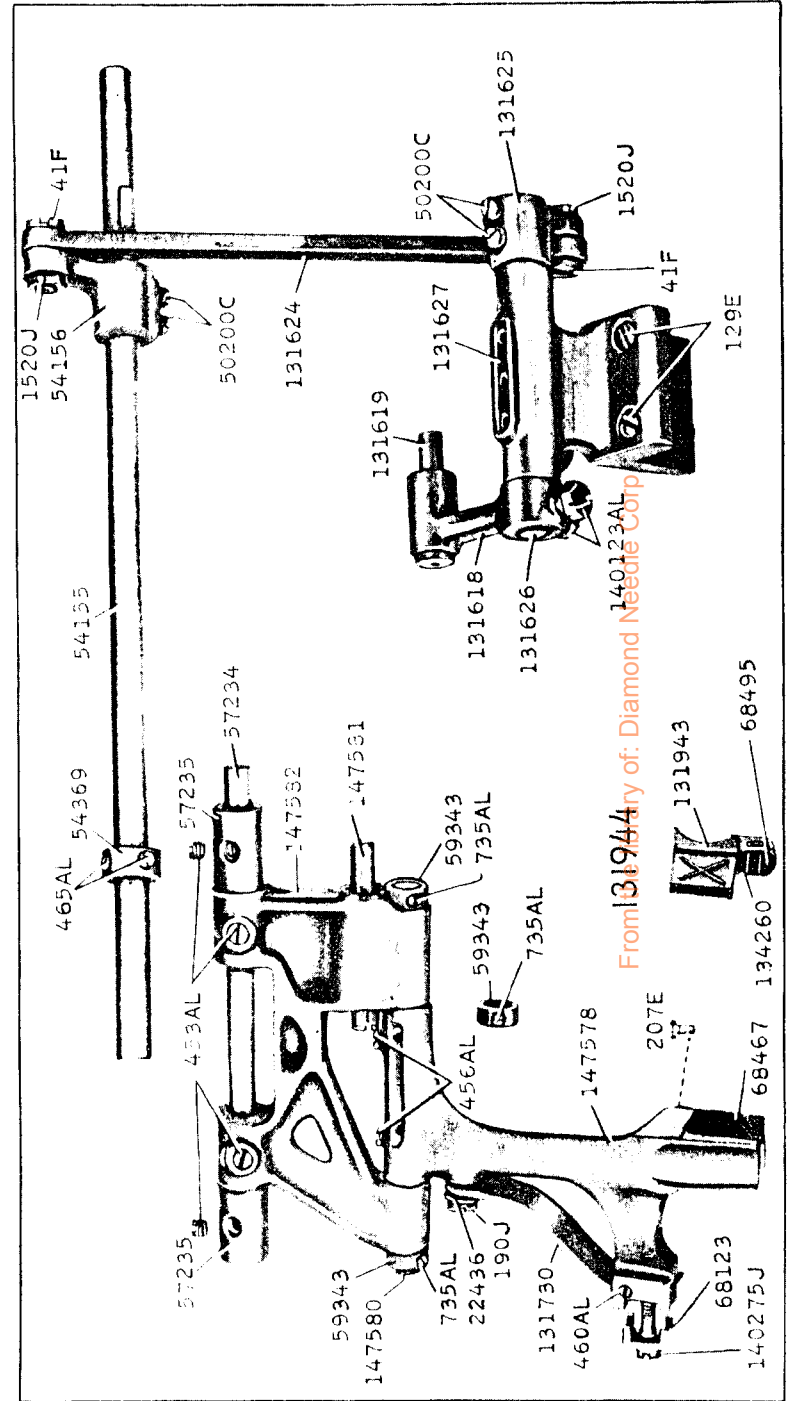
The library of: Diamond Needle Corp.

24445-1/2

147-122



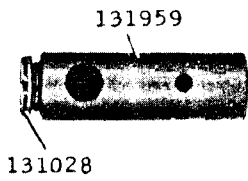
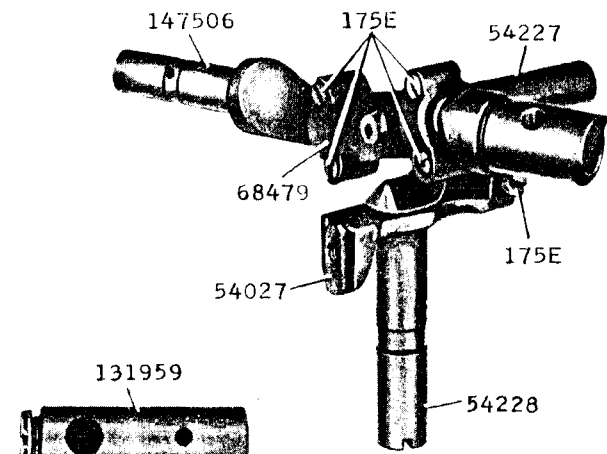
24446-1/2



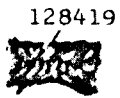
From Library of: Diamond Needle Corp

24447-2/3

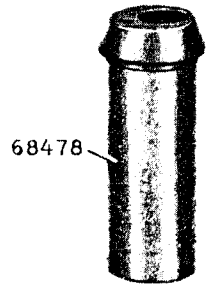
147-93, 147-94, 147-121



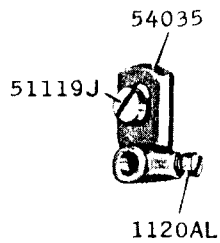
131028



128419



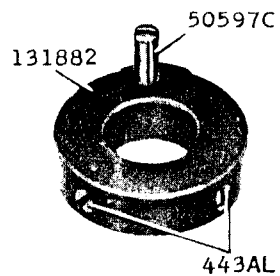
68478



54035

51119J

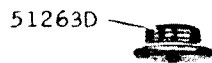
1120AL



131882

50597C

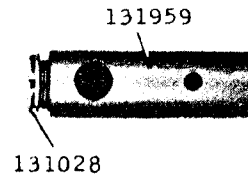
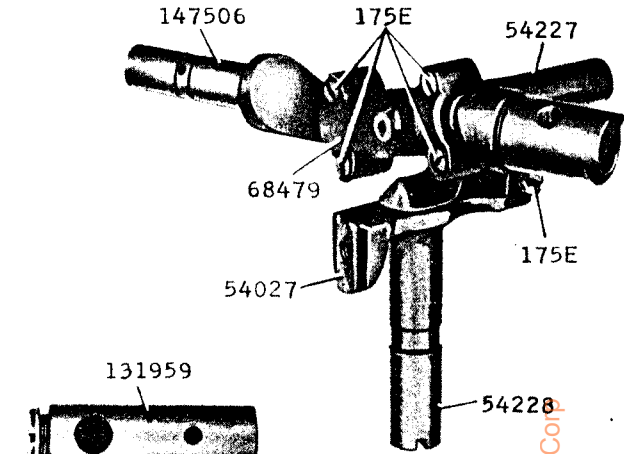
443AL



51263D

24448-2/3

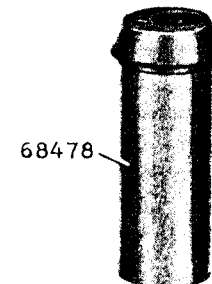
147-122



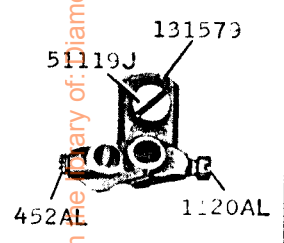
131028



128419



68478



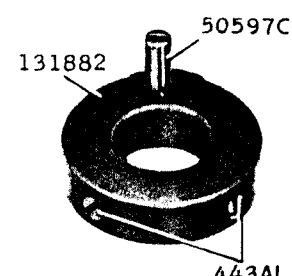
51119J

131573

1120AL

From the Library of: Diamond Needle Corp.

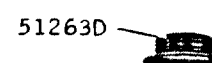
131580



131882

50597C

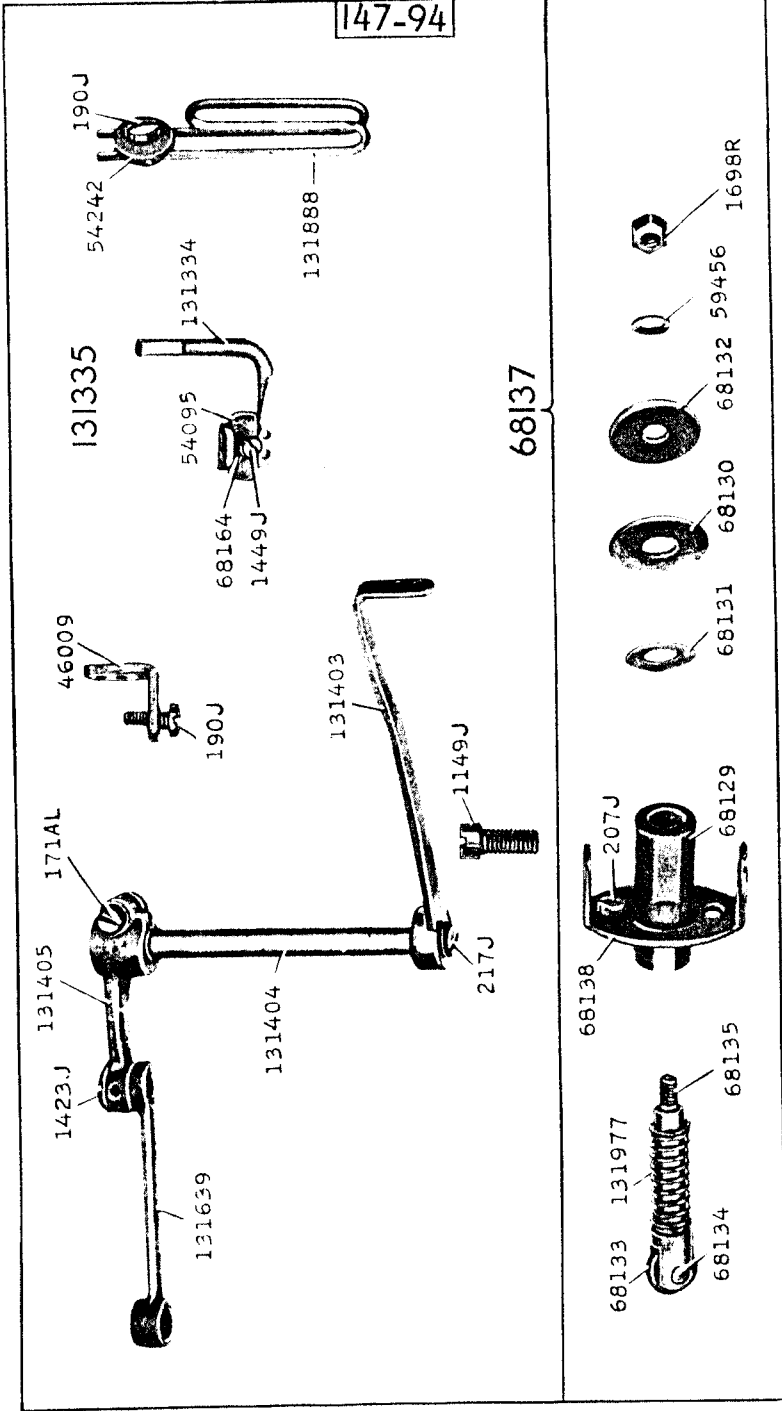
443AL



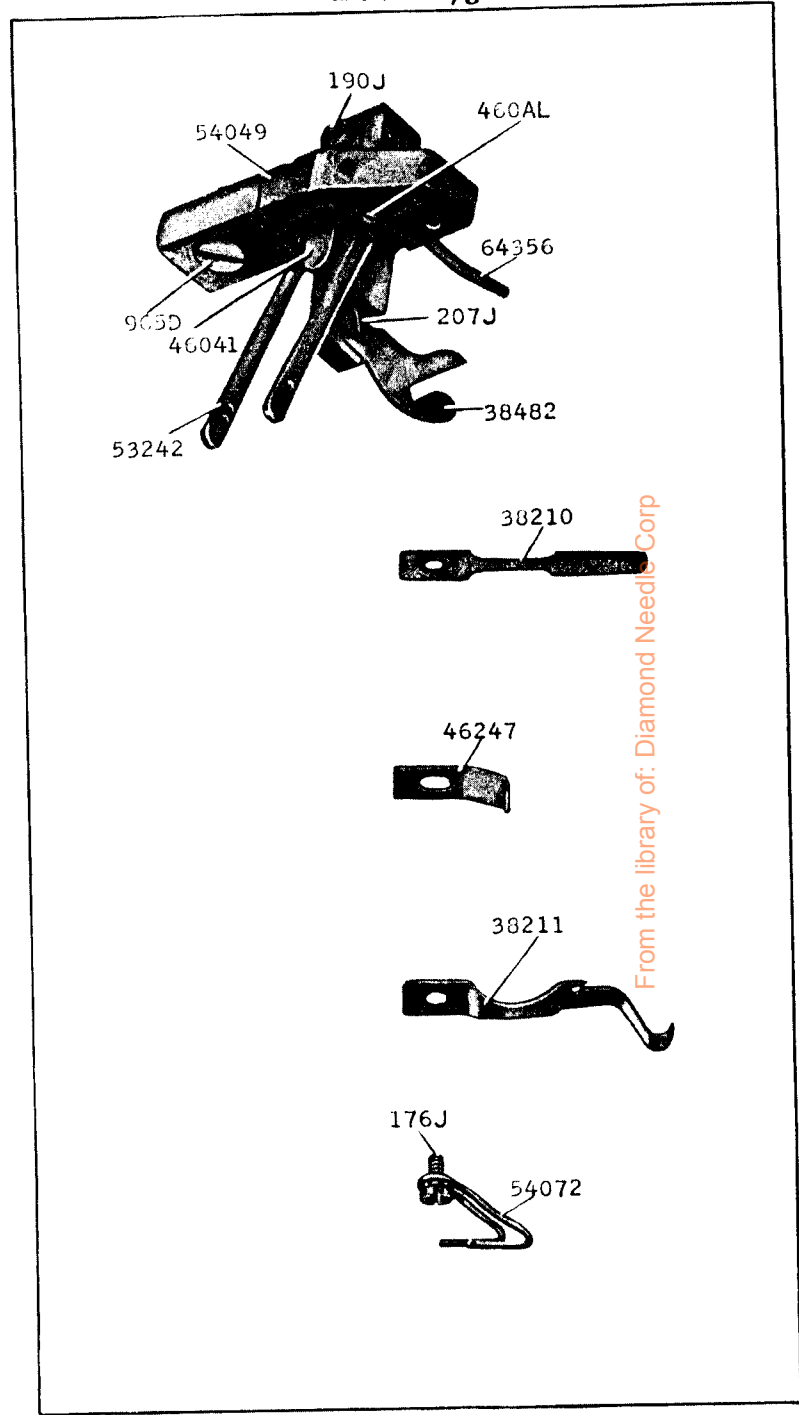
51263D

24451-1/2

147-94



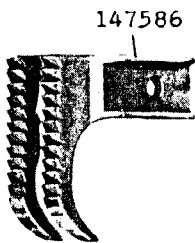
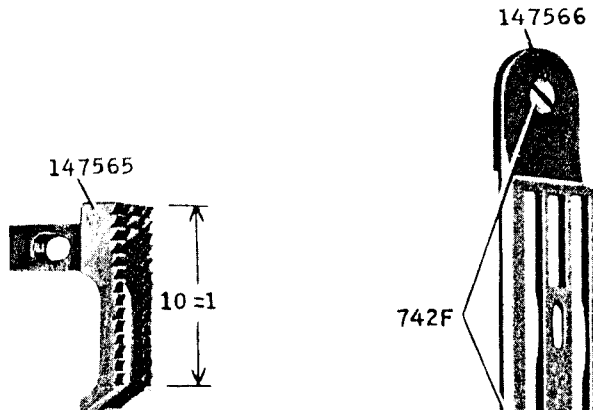
24452-2/3



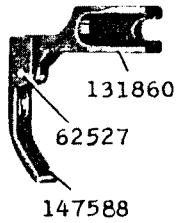
From the library of: Diamond Needs Corp

24453-2/3

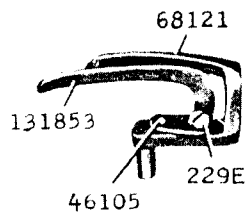
147611



147589



131852



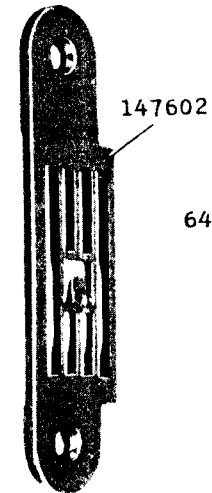
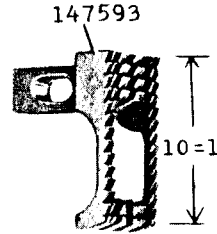
131316



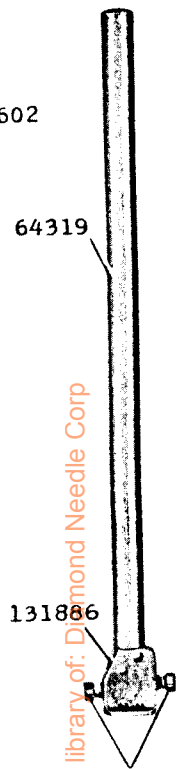
147-93, 147-94

24454-2/3

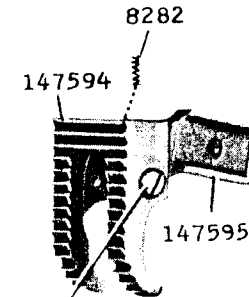
147-121
147612



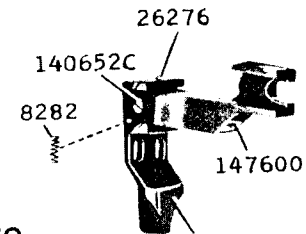
131884



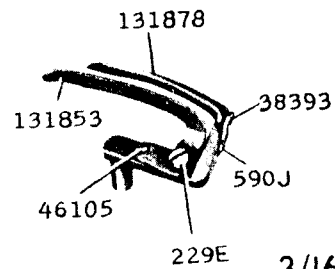
147596



147601



131879



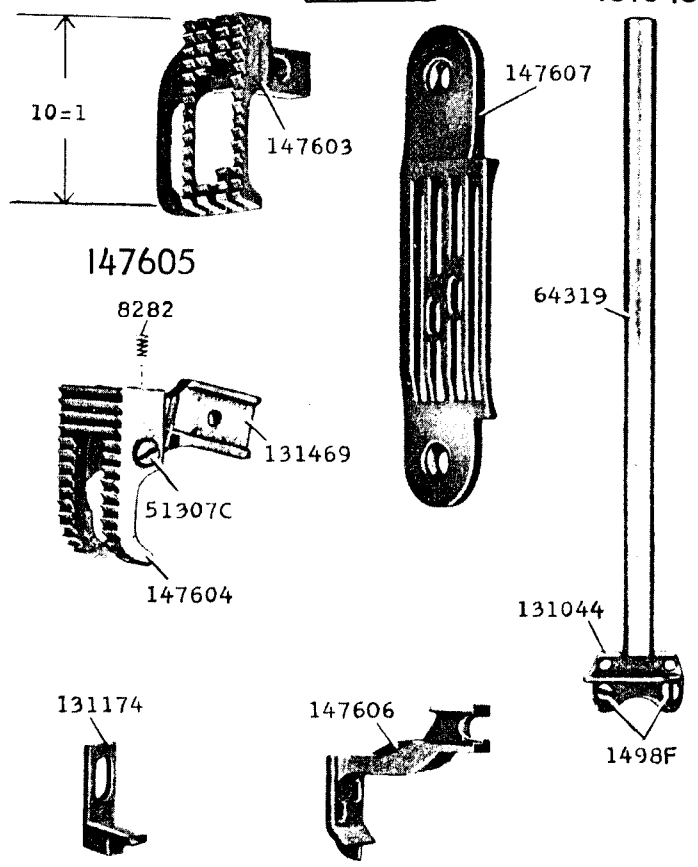
From the library of: Diamond Needle Corp

3/16, 1/4

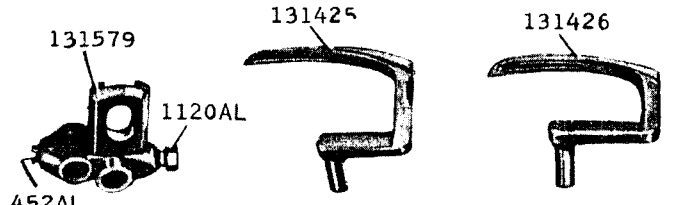
24455-2/3

147-122
147613

131045



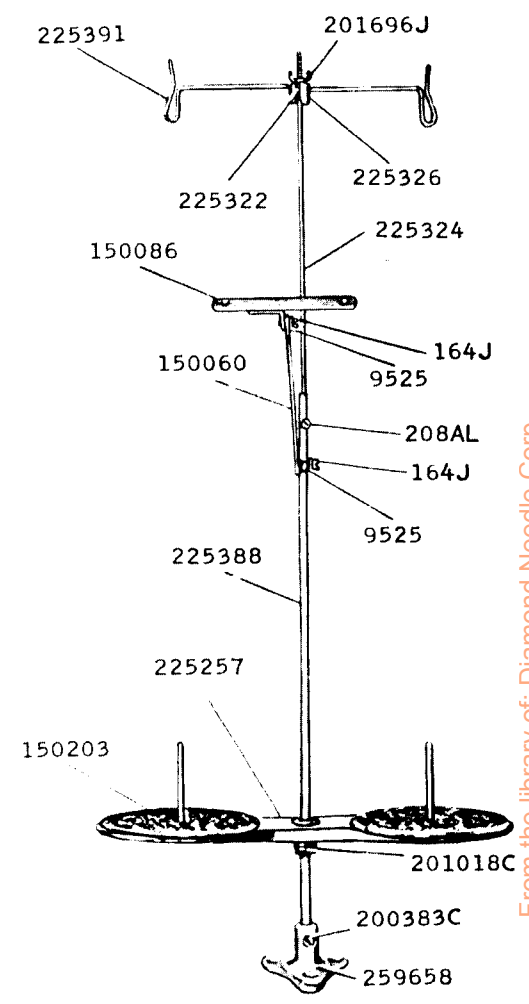
131580



3/16, 1/4, 5/16

24456-1/6

150088



From the library of: Diamond Needle Corp

27739



225390

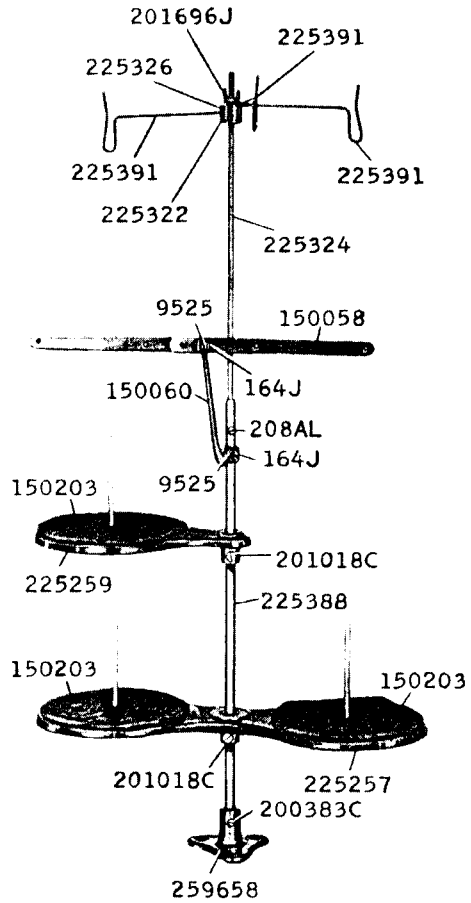


147-93, 147-94

24457-1/6

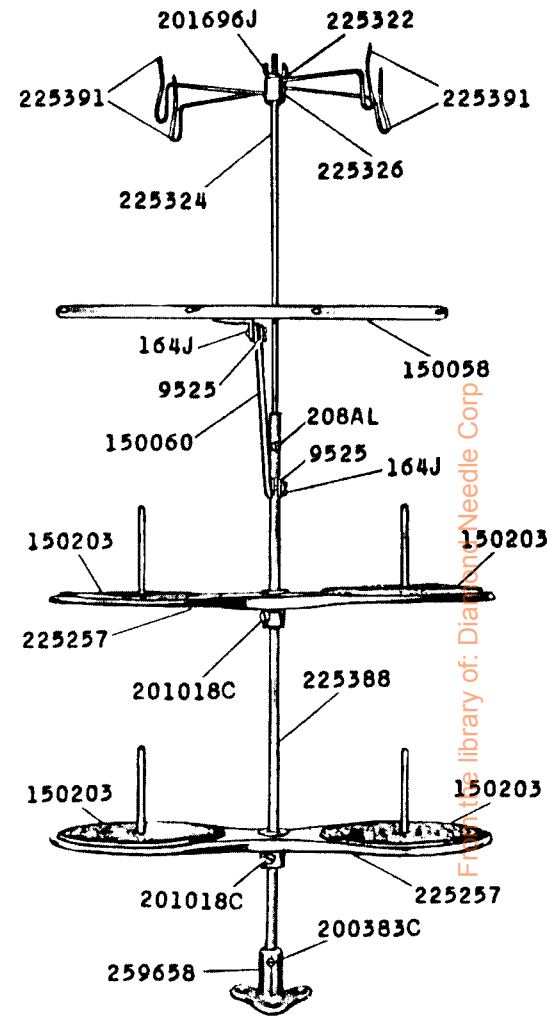
147-121

150178



24458-1/6

150062



27739

225390



147-122